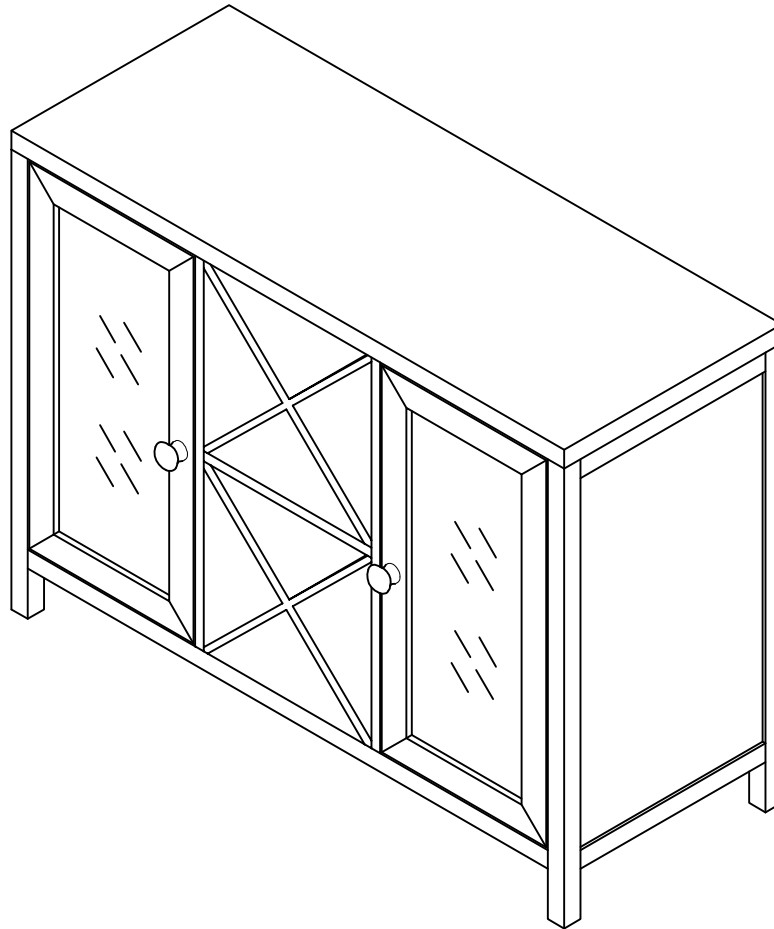


# ASSEMBLY INSTRUCTIONS

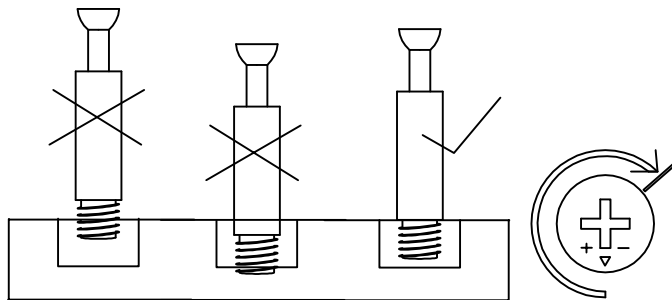
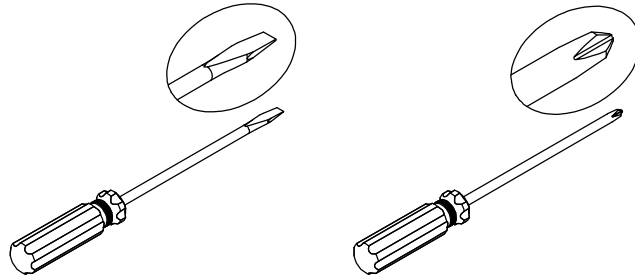
Style # WR1340 Wine Rack



## NOTE TO CUSTOMERS:

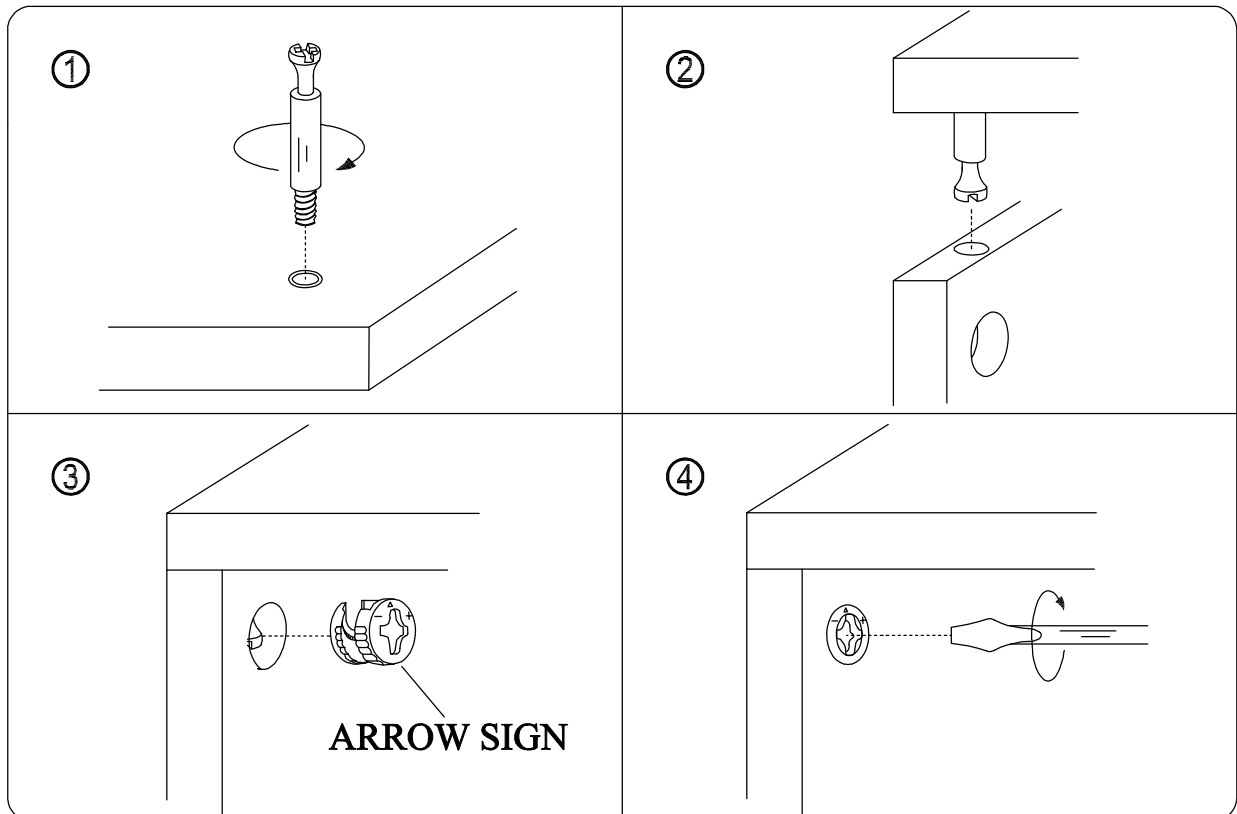
- For ease and speed of assembly we recommend that before you commence each step of the assembly that you identify all the parts required to complete that step.
- We recommend that where possible you allow sufficient space to assemble the item as close as possible to the place where it will be once assembled.
- For the protection of your furniture we recommend that the product is placed on protected surfaces during assembly to prevent any damage.
- During assembly do not to over tighten ,as this may damage the product.
- Please ensure you retain all the product packaging until the item completely assembled.
- Please periodically check all fittings and re-tighten as necessary.
- Never allow any liquids to remain on your furniture as absorption can cause the wood to warp or the finish to de-laminate.
- It is recommended that this item should be assembled by two adults.

## ASSEMBLY TOOLS REQUIRED( NOT INCLUDED)

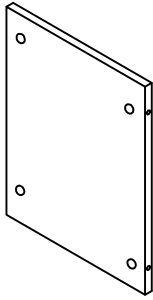


Note: Please don't over tighten the cam screws. Assure the cam screws fits into the plastic threaded insert. Otherwise the cam nut might not be able to catch the cam screws.

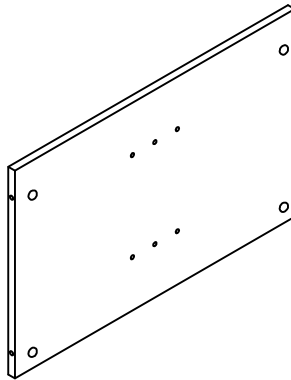
## HIDDEN CONNECTOR----ASSEMBLY TECHNIQUES



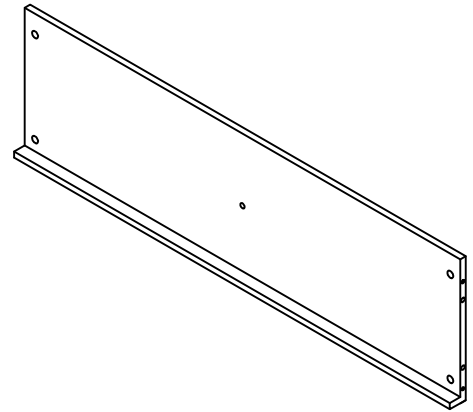
**FURNITURE PARTS**



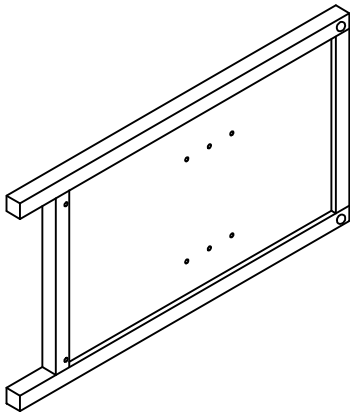
**A1 1PC  
Center Shelf**



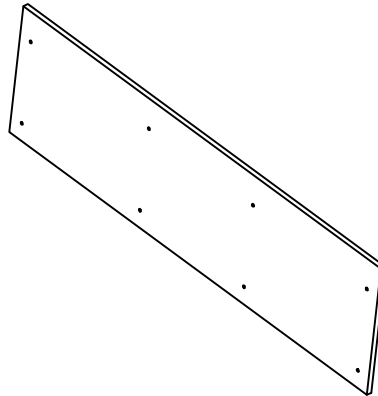
**A2(L&R) 2PCS  
Divider**



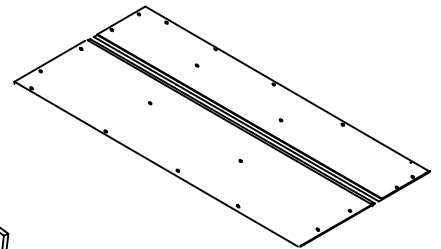
**A3 1PC  
Bottom Panel**



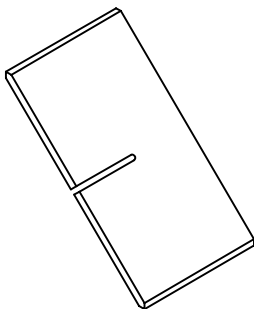
**A4(L&R) 2PCS  
Side Panel**



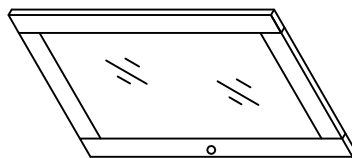
**A5 1PC  
Top Panel**



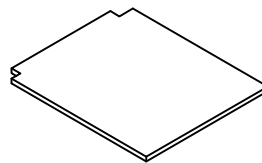
**A6 1PC  
Back Panel**



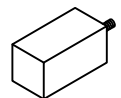
**A7 4PCS  
Cross Panel**



**A8(L&R)  
2PCS Door**

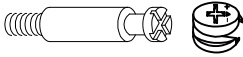


**A9 2PCS  
Removable Shelf**



**A10 1PC  
Support Leg**

## HARDWARE PARTS



B1 20SETS  
Camlock



B2 22PCS  
Small screw



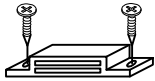
B3 8PCS  
Big Screw



B4 2SETS  
Knob with Bolt



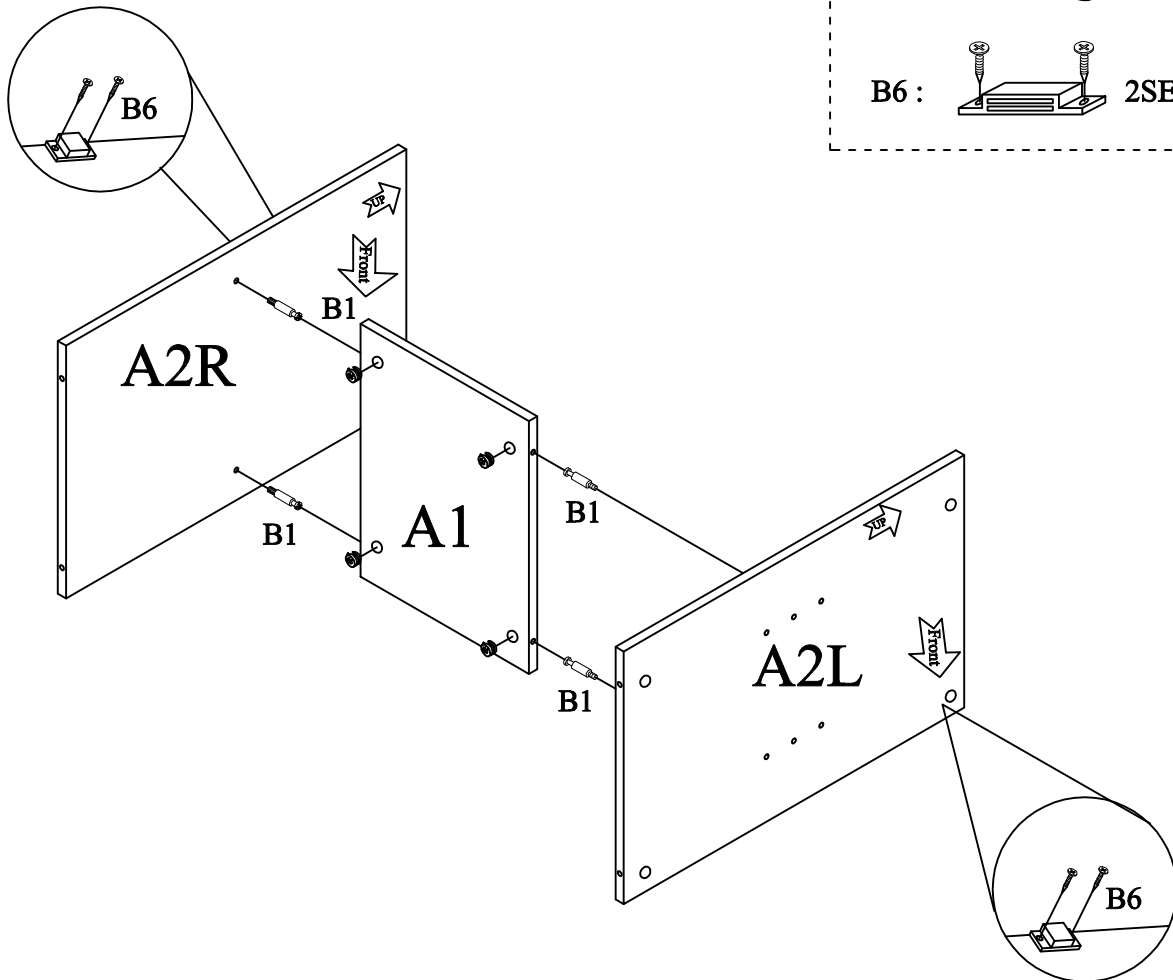
B5 8PCS  
Shelf Peg



B6 2SETS  
Magnet

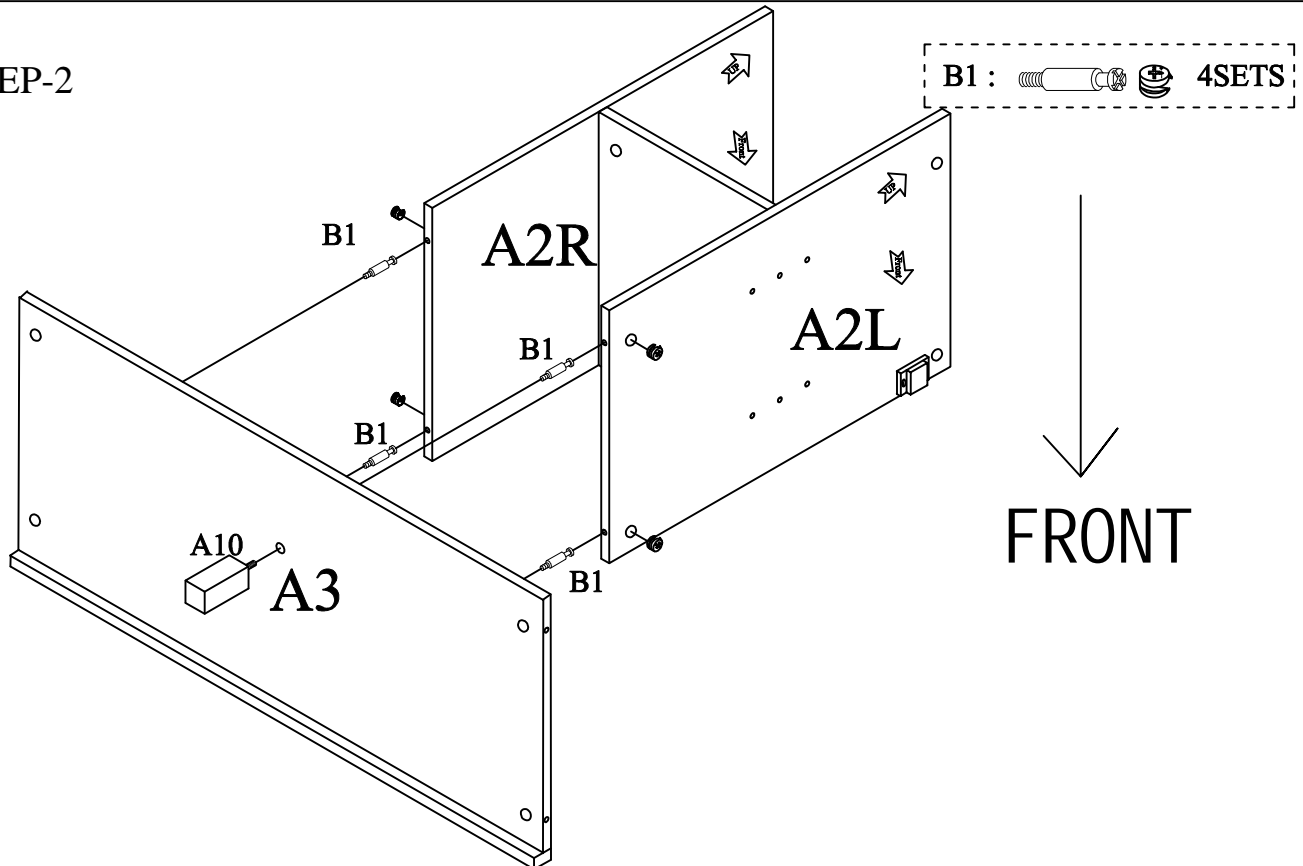
## ASSEMBLY INSTRUCTIONS

### STEP-1



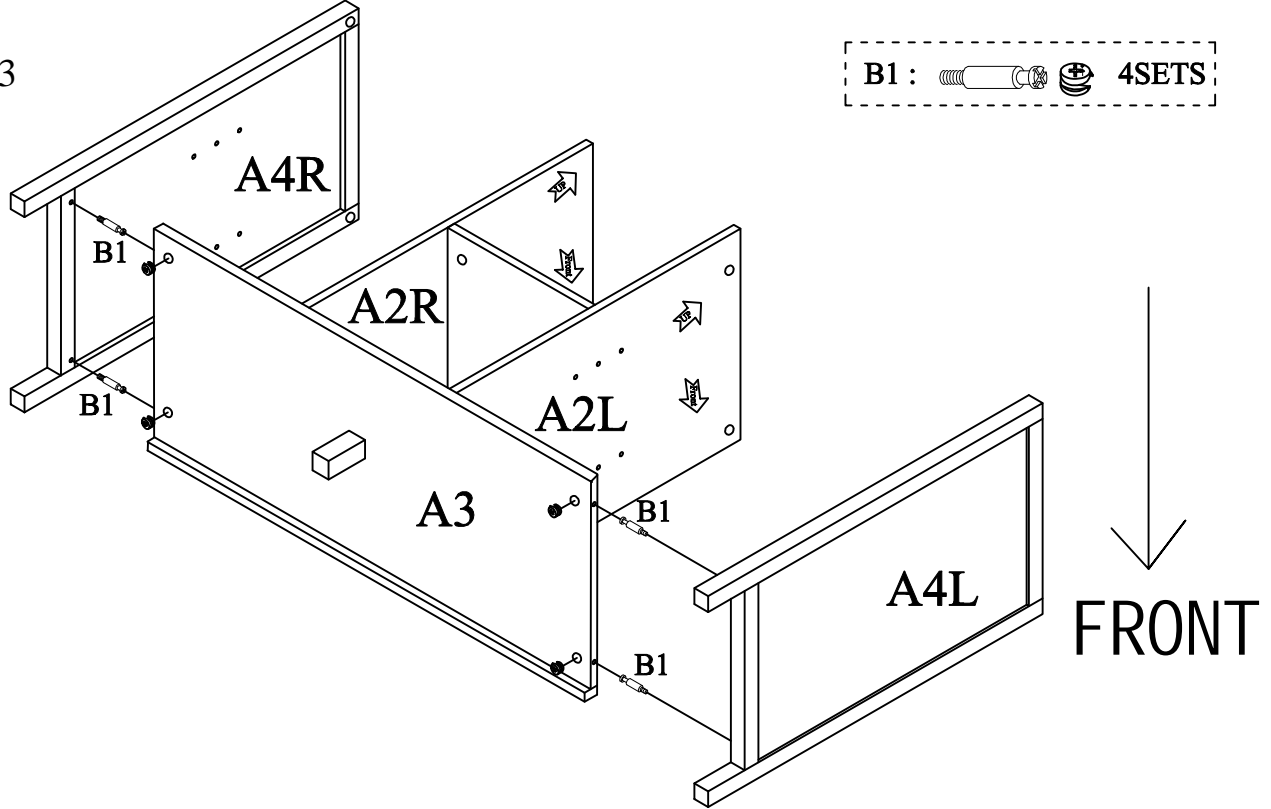
- 1). Assemble the Magnets B6 to Divider Panels A2(R&L) with including screws.
- 2). Assemble the Divider Panels A2(R&L) to Center shelf A1 using comlocks B1.

STEP-2



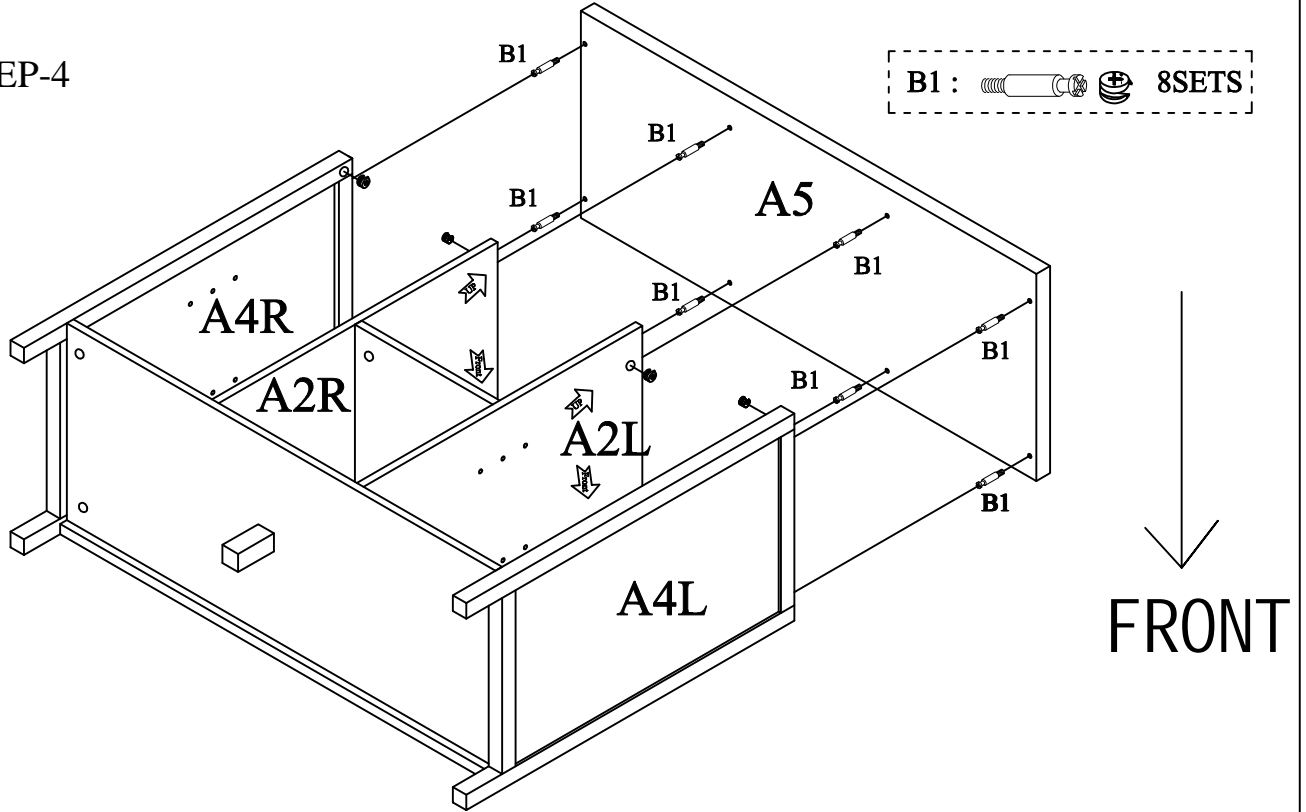
- 1). Assemble the Bottom Panel A10 to Divider Panels A2(R&L) using camlocks B1.
- 2). Screw the Support Leg A10 to the bottom of bottom panel A3 as shown above. Please do not keep-turning leg A10.

STEP-3



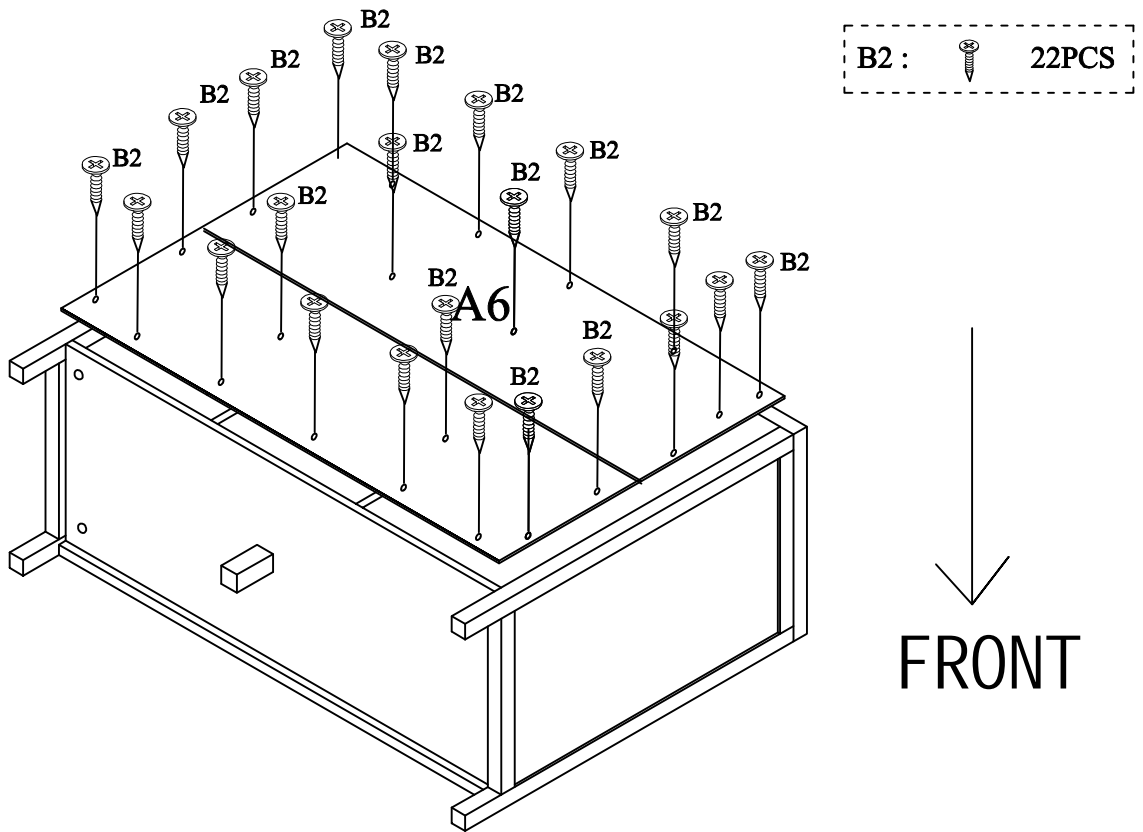
Assemble Side Panels A4(L&R) to Bottom Panel A3 using camlocks B1.

STEP-4



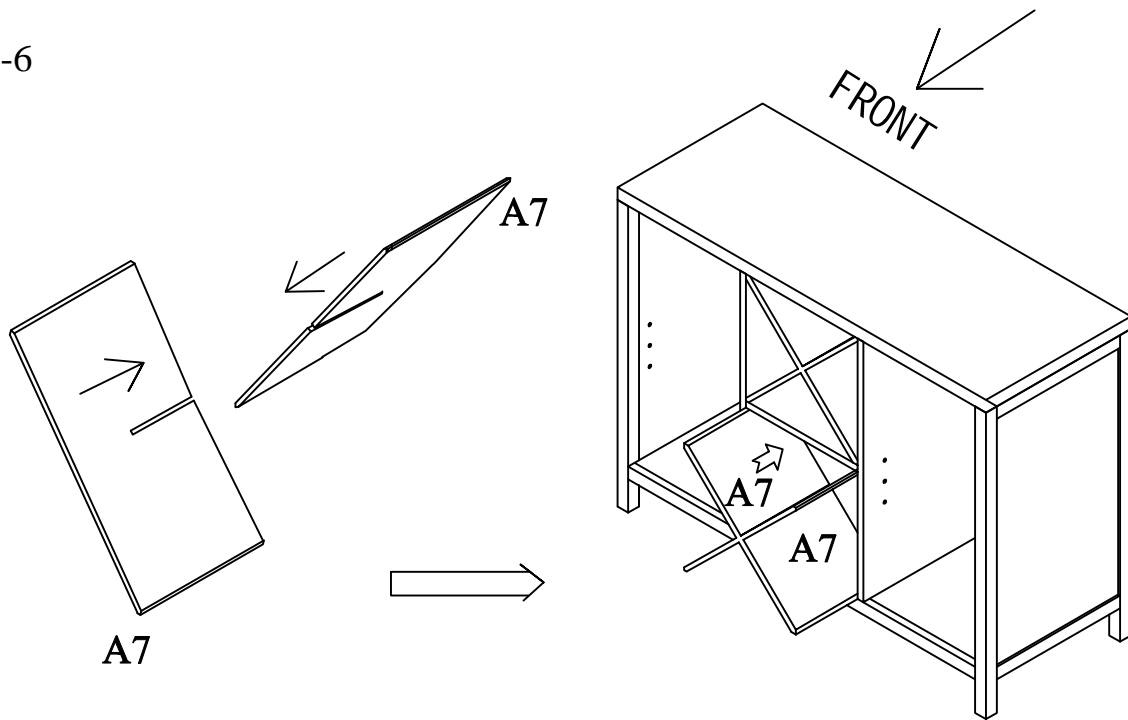
Assemble the Top Panel A5 to Side Panels A4(R&L) and Divider Panels A2( R&L) using camlocks B1.

STEP-5



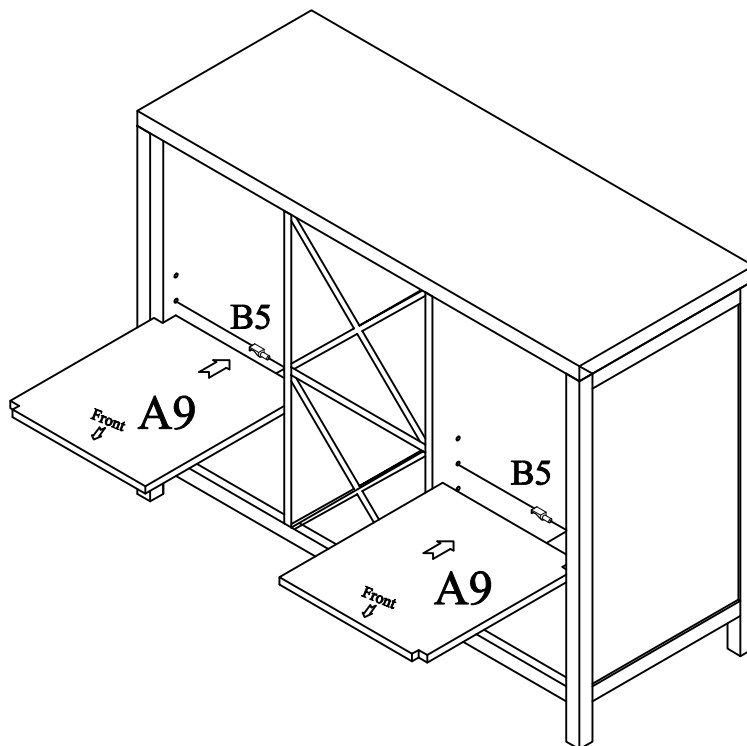
Assemble the Back Panel A6 to Bottom Panel A3 & Side panels A4(R&L) & Top panel A5 using screws B2.

STEP-6





Cross A7 Panels and then put them into the center of this wine rack.

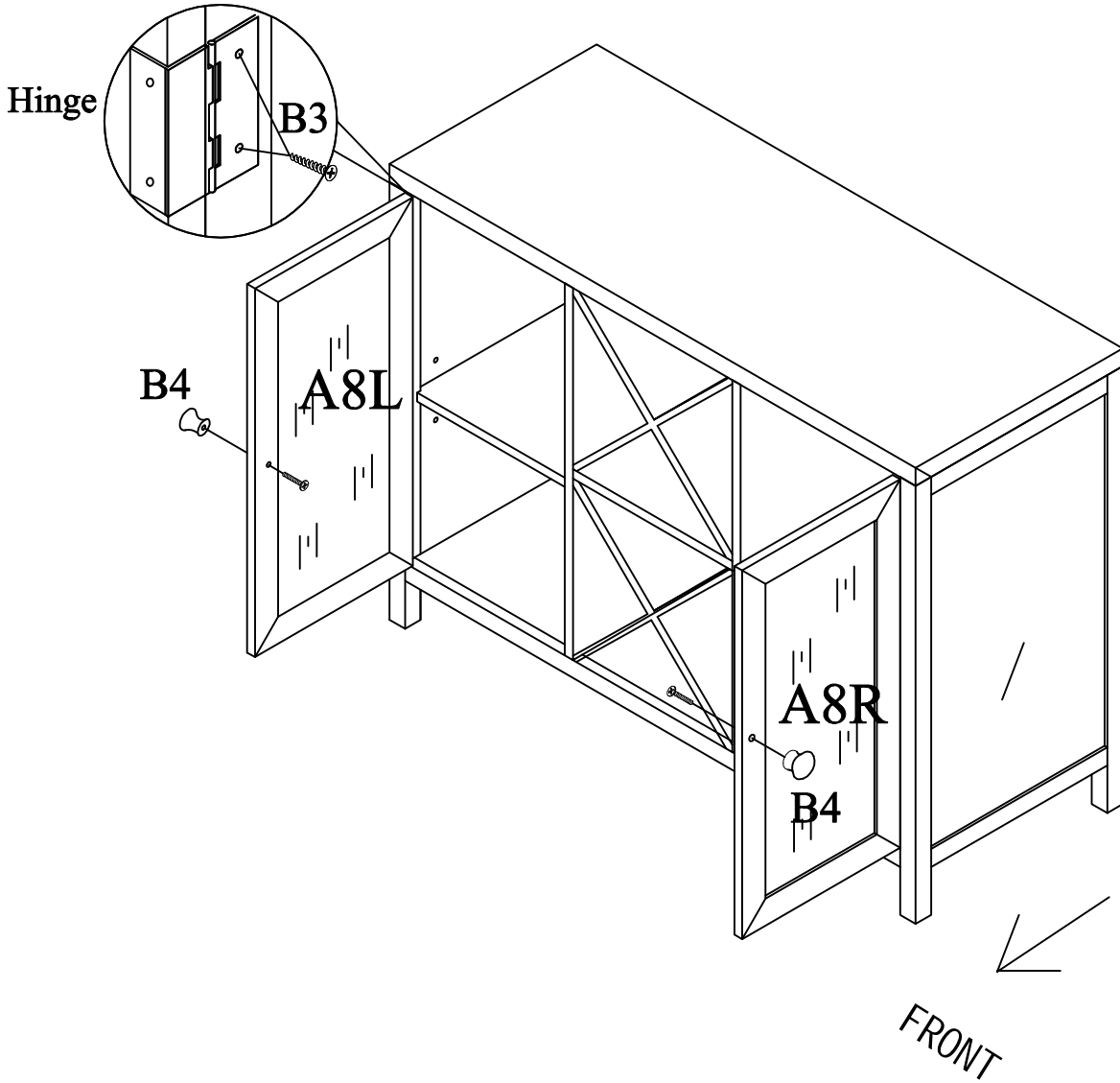
STEP-7



Insert the Shelf Peg B5 into the holes of the Side Panels A4(R&L) and Divide Panels A2 (R&L), then put the removable shelves A9 onto the Shelf Peg B5.

STEP-7

B3 :		8PCS
B4 :		2SETS



- 1). Assemble the doors A8(L&R) with hinges to the Side panels A4(L&R) using screws B3.
- 2). Attach the Knobs B4 onto doors A8(L&R) with including bolts.