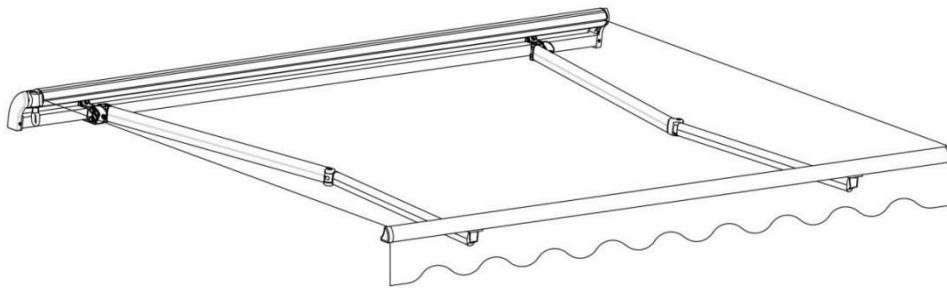




www.AlekoProducts.com

ALEKO® Victoria Series Retractable Awning

Instructions for Installation and Operation

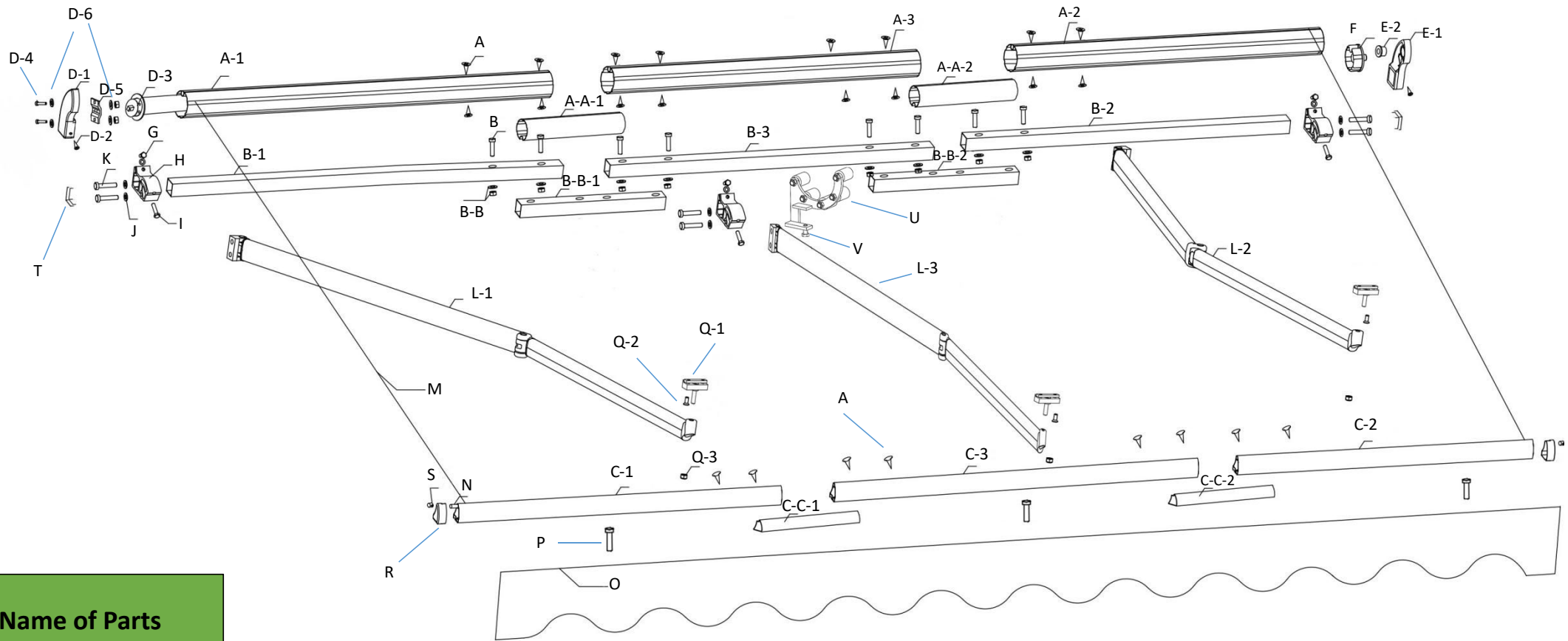


PLEASE DO NOT RETURN THIS PRODUCT TO THE STORE!

The owner's manual includes assembly and operating instructions, safety warnings, and the lists of parts and hardware. If you have questions about the assembly or operation of this product, or have missing or defective parts, please e-mail us at Sales@AlekoProducts.com or call us (M-F 7:00 AM to 5:00 PM PST) at 253-872-3656

Contents

● Content -	-1
● Parts Diagram	2
● Safety Installation and Operation	3
● Steps of Parts Assembly -	- 4 / 5 / 6 / 7
● Specifications	7
● Part List	7
● Installation Procedure	8 / 9 / 10/11
● Attention	11



Name of Parts

A. Bolt M4 x 15
 A-1. Roller 1
 A-2. Roller 2
 A-3. Roller 3
 A-A-1. Roller Connector 1
 A-A-2. Roller Connector 2
 B-1. Torsion Bar 1
 B-2. Torsion Bar 2
 B-3. Torsion Bar 3
 B-B-1. Torsion Bar Connector 1
 B-B-2. Torsion Bar Connector 2

B. Bolt M6 x 45
 B-B. Bolt M6 + Washer M6.5
 C-1. Front Bar 1
 C-2. Front Bar 2
 C-3. Front Bar 3
 C-C-1. Front Bar Connector 1
 C-C-2. Front Bar Connector 2
 D-1. Left Roller Support
 D-2. Bolt M10 x 60
 D-3. Motor
 D-4. Bolt M6 x 25

D-5. Motor Bracket
 D-6. Bolt M6 + Washer M6.5
 E-1. Right Roller Support
 E-2. Round Shaft Cover
 F. Round Shaft
 G. Bolt M10 x 65
 H. Arm Shoulder
 I. Jack Bolt (M10 x 30)
 J. Washer M12.5
 K. Locking Nuts (M10 X 50)
 L-1. Left Arm 1

L-2. Right Arm
 L-3. Left Arm 2
 M. Fabric
 N. Fabric line 1
 O. Valance
 P. Blocker
 Q-1. Arm-Bar Link
 Q-2. Adjustable Bolt M8 x 12
 Q-3. Self Locking Nut M10
 R. Cover for Front Bar
 S. Bolt for Cover&Fabric Liner

T. Cover for Torsion Bar
 U. Center Support for Roller&Torsion Bar
 V. Bolt for Center Support

WARNING:

FOR YOUR OWN SAFETY, PLEASE FOLLOW THE INSTRUCTIONS IN THE MANUAL CLOSELY, AS FAILURE TO DO SO MAY RESULT IN PERSONAL INJURY!

Before you proceed, please read the following safety precautions:



As the elasticity is very strong on arms, please tie arms together when assembling awning. Do not stand face front of awning when cutting off binds between arms. Hold tightly and stretch slowly until completely open.



Also, proper location and fastening of the wall brackets is critical, please follow instructions in the manual. Failure to securely fasten all brackets could result in the collapse of the awning and cause personal injury or death.



Keep children away from assembly area.

Safe installation and operation

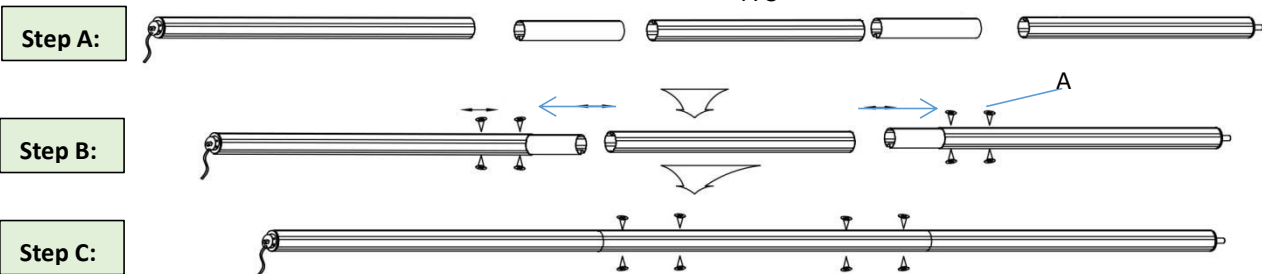
- ❖ Never install it in high and windy places, as the sunshade may drop and hurt someone
- ❖ Don't use it in places that have vibrations or impulses.
- ❖ Don't use it in places of high temperature such as walls near furnaces.
- ❖ Don't put heavy things on the frame as it may fall down and cause damages.
- ❖ Please close the sunshade in windy and rainy days.
- ❖ Never use it for other purposes other than suggested
- ❖ Be careful with your fingers during installation.
- ❖ More than two adults are needed to move and install the sunshade as the product is big and heavy.
- ❖ Please use all the screws and nuts correctly during installation as it is very dangerous if you leave it loose.

Steps of Assembly

Step 1: Roller Assembly

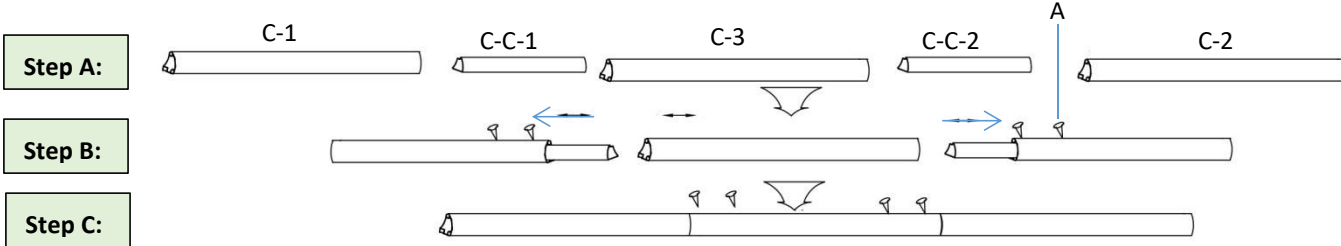
Insert roller connector (A-A-1) into roller(A-1), fasten it with bolt (A: Bolt M4x15) on each hole. Repeat on the other roller connector(A-A-2) with roller(A-2). Tighten the bolts. Combine both roller 1 & 2 from each end of roller 3, wrest corresponding bolts on each hole of roller.

1. Slide the motor into the roll.



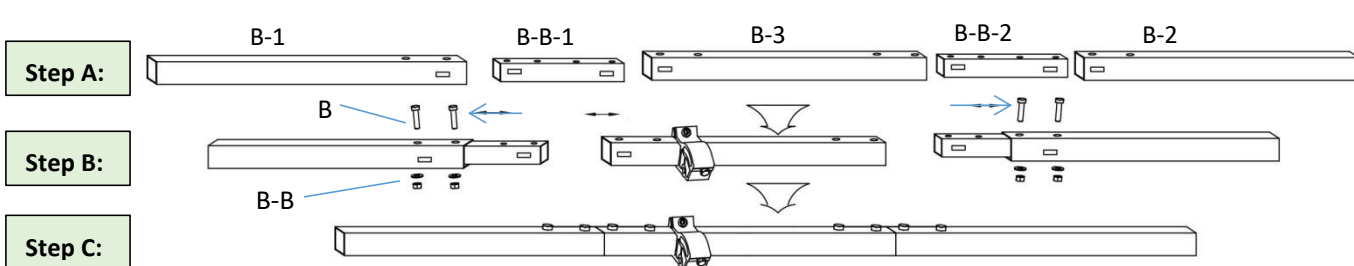
Step 2: Front Bar Assembly

Insert front bar connector (C-C-1) into front bar(C-1), fasten bolt (A: Bolt M4x15) on each hole of it. Repeat on the other front bar connector(C-C-2) with front bar(C-2). Tighten the bolts. Combine both front bars 1 & 2 from each end with front bar 3, wrest corresponding bolts on each hole of front bar.



Step 3: Torsion Bar Assembly

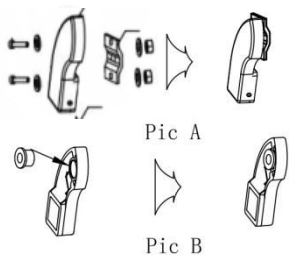
Insert torsion bar connector (B-B-1) into torsion bar(B-1), fasten bolt (B: Bolt M4x45 & B-B: Bolt M6 + Washer M6.5) on each hole of it. Repeat on the other torsion bar connector(B-B-2) with torsion bar(B-2). Tighten the bolts. Combine both torsion bars 1 & 2 from each end with torsion bar 3, wrest corresponding bolts on each hole of torsion bar.



Step 4: Motor Bracket Assembly

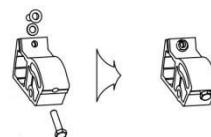
Install Motor Bracket: Combine left roller support(D-1) with motor bracket(D-5) through (D-4: Bolt M6x25) -Picture A;

then install right roller support(E-1) and round shaft cover(E-2) together showing as Picture B. (**This Step is already done by Awning Factory.)



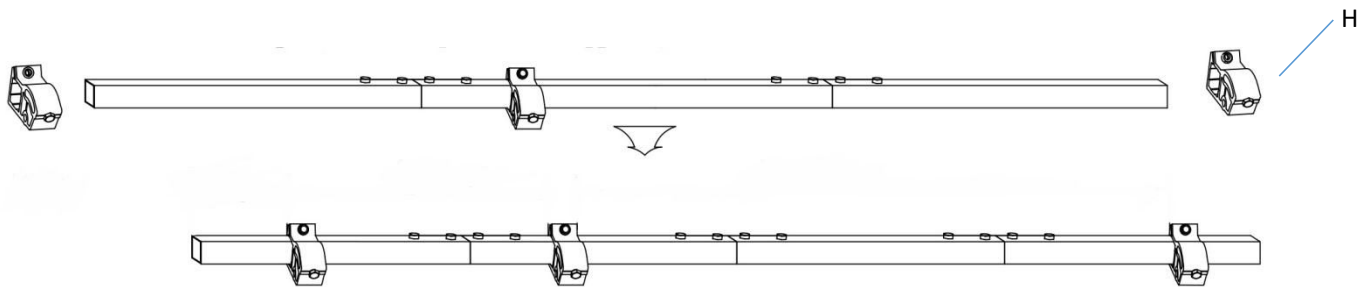
Step 5: Arm Shoulder Assembly

Install of Arm Shoulder: Assemble arm shoulder(H), bolt M10x65 (G), washer and Jack bolt M10x30 (I) together. As Picture below. (**This Step is already done by Awning Factory.)



Step 6: Torsion Bar and Arm Shoulder Assembly

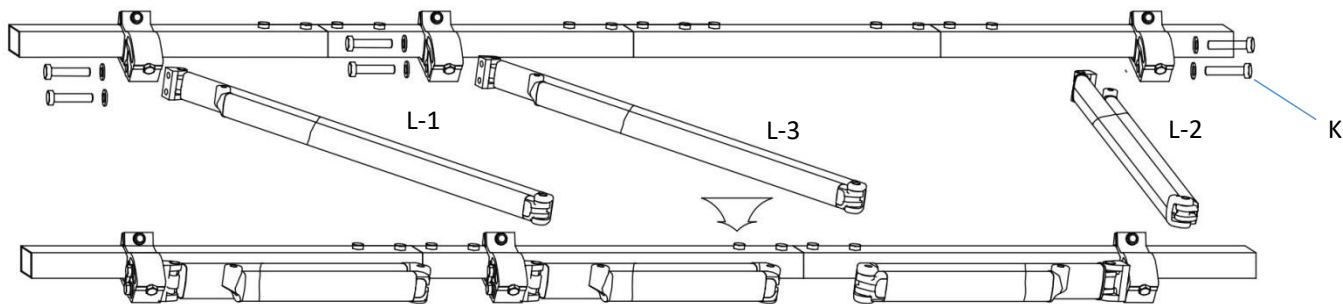
Firstly, link torsion bar and arm shoulder(H), tighten arm shoulder with bolt M10x65(G) by socket head wrench. Set position of arm shoulder(H) against different sizes. (**This Step is already done by Awning Factory.)



Step 7: Arm Shoulder & Arm Assembly

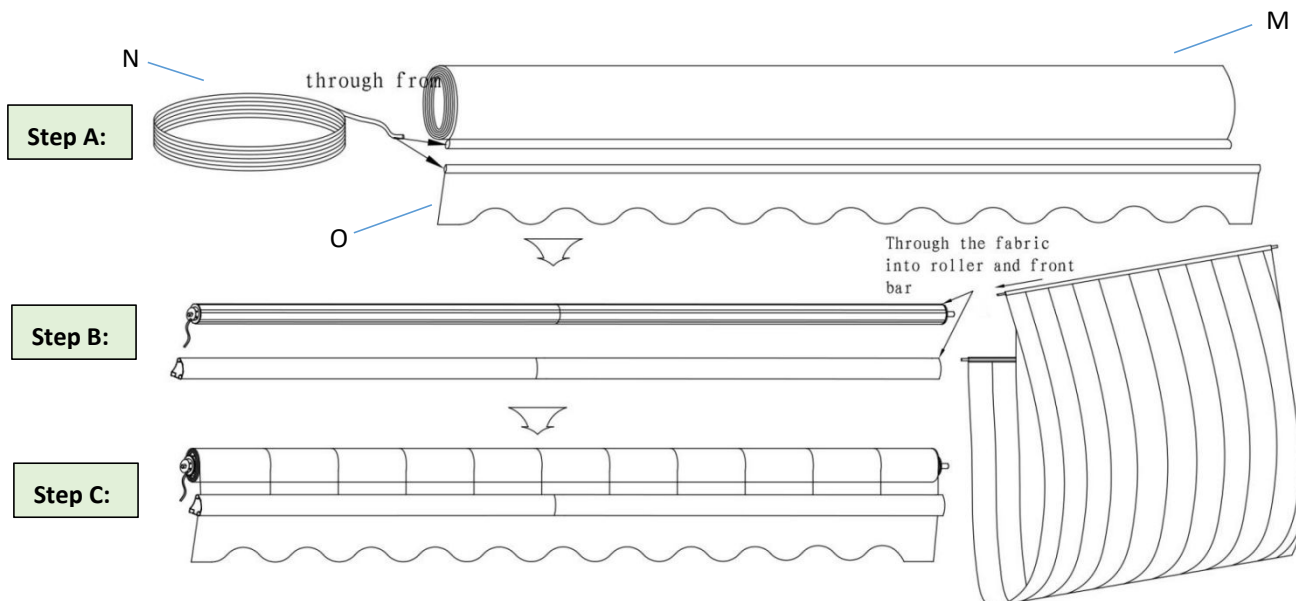
Link both left arms(L-1 & L-3) and right arm(L-2) with corresponding arm shoulder using bolt M10x50(K). (**This Step is already done by Awning Factory.)

WARNING: Arms have to be tied tightly when installing to avoid injury!!



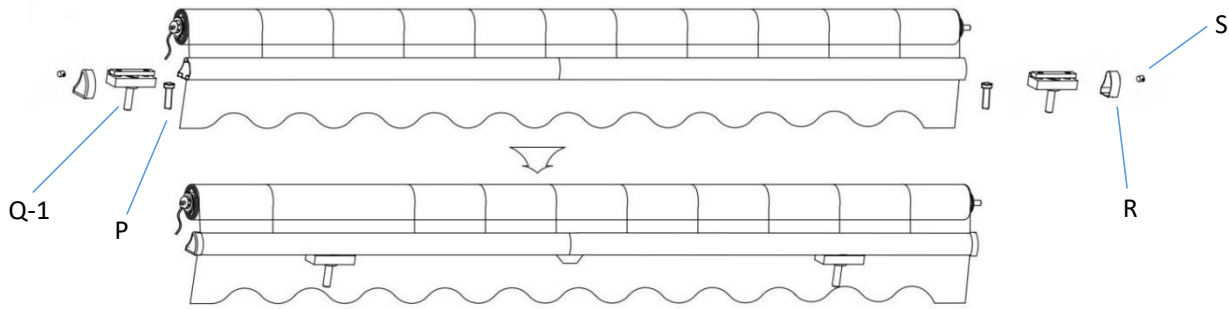
Step 8: Fabric Assembly

Outspread both fabric(M) and valance(O). Insert fabric liner(N) from one end through the fabric into gauges on both roller and front bar. (Fabric has two sides, put the side with hem downwards.)



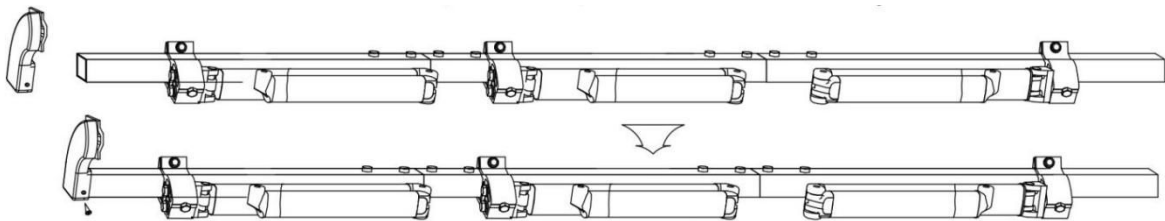
Step 9: Spirit Level and Front Bar Wrist Support Assembly

Slide Blocker I(P) and Arm-Bar Link (Q-1) into front bar from big trough, put both left and right plastic cover(R) to each end of front bar. Tighten screws(S) on the covers to lock up fabric(J) in position.



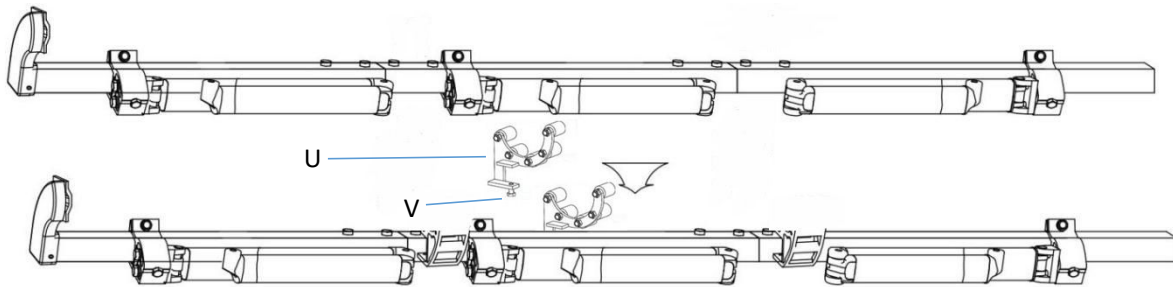
Step 10: Left Roller Support with Motor Bracket Assembly

Hammer left roller support(D-1) with motor bracket(d-5) into torsion bar with slight strength of hammer. Tighten screws with screwdriver.



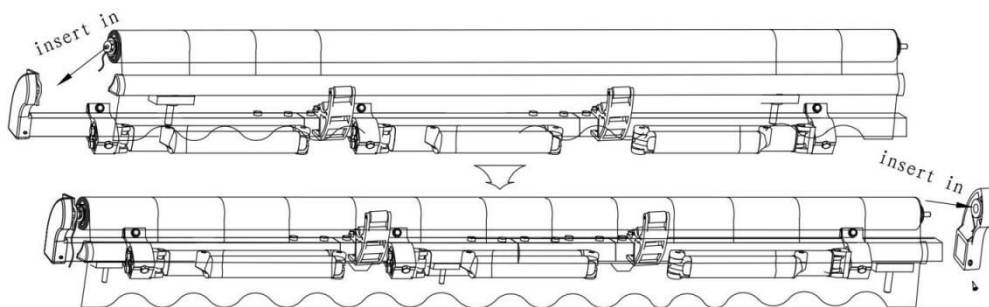
Step 11: Center Support Assembly

Insert center support(U) on middle of torsion bar (as below), tighten with bolt (V).



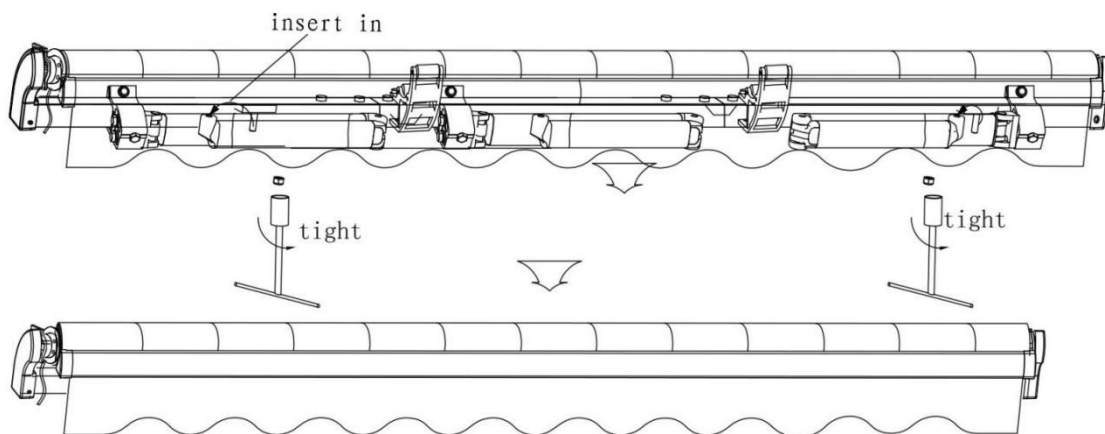
Step 12: Assemble to Make A Whole Awning

Insert square shaft in roller with fabric into square hole of motor bracket(D-5); knock round shaft cover(E-2) into right roller support(E-1); then link it with round shaft(F-2) inserted into roller with fabric by using hammer. Tighten screw on it using a screwdriver. (Same as step 10)



Step 13: Setting Position of Whole Awning




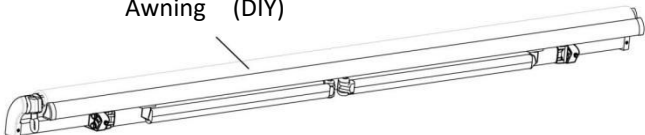
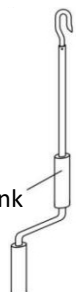
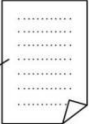
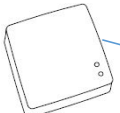
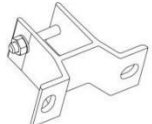

Make sure two arms are tied tightly to torsion bar, move Blocker(P) to the middle of arms, fasten. Then move Arm-Bar Link(Q-1) until connect with front bar wrist through it. Align the front bar and arm, tightening Self Locking Nut M10(Q-3) upwardly by screwdriver. Then fix Adjustable Bolt M8 x 12(Q-2) up to 90% tight by ribbon tube spanner(As below) when awning is opened.



FQA: What if the fabric wraps unevenly or the two arms cannot open together at the same time?

Answer: Look at the consistency of two arms and adjust the front bar wrist of the faster arm outwards accordingly.

Specification	
Product name	Retractable awning (Please see details on the package)
Material & treatment	Material: Steel tube, Aluminum alloy, plastic parts, polyester fabric. Tubes: Oxidation & Power coated Fabric: PU, UV coated and waterproof
Applicable wall type	Reinforced concrete walls, brick walls, and wooden walls.
Recommended installation height	8ft - 12ft
Applicable weather	- The product is used to shield sunshine. - Applicable when wind is under level 5. - Not suitable for rainy weather.
<p>The lifespan of the product is 5 years (assuming the frame is opened and closed twice a day). Only screws for reinforced concrete walls and brick walls are provided. If you want to install the product on a wooden wall, please use screws (sold separately, available in the nearest hardware store). Make sure to find studs (using professional installer service is highly recommended).</p>	
<p>Important: Read "Instructions for installation and operation" carefully before installation. Keep the instruction in a safe place for future reference.</p>	

Parts List		
<p>Please prepare the following tools before installation (not included with the product)</p>		
 Power drill	 Tape	 Wrench
 Awning (DIY)		
 Hand Crank (Option)	 Instructions	
 Switch		
 Wall Bracket	+	 Expansion bolts
Product model	No. Of wall brackets	No. Of expansion bolts
< 10.8ft	2	4
10.8ft ~ 14ft	3	6
14.5ft ~20ft	4	8

Installation Procedure

Step 1: Determine position on the wall and mark up

Height of awning:

The recommended height from the ground is 8-12ft. If you want to install lower than this, determine whether there is sufficient headroom when the awning is fully extended and that any doors can open.

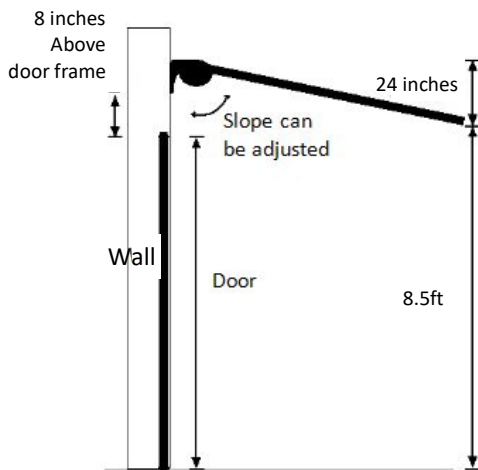
Required headroom:

- Allow 8 inches above any door frame and check that when opened the door will not interfere with the awning.
- As a guideline, the awning has a drop of 24 inches at a slope of 15 degrees below the horizontal.

Horizontal positioning of the brackets:

Using laser, spirit level or other method, mark an accurate horizontal line at the required height.

Side view

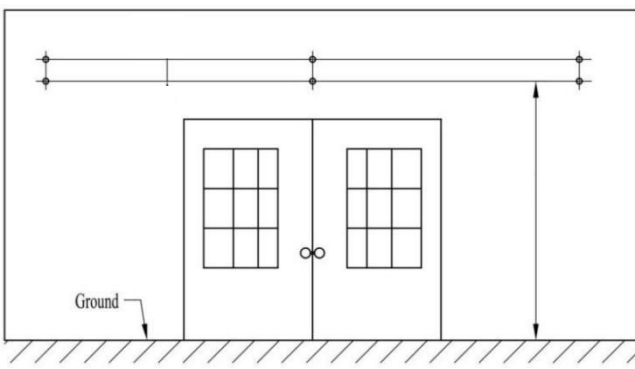


Step 2: Drill holes

- Drill holes for wall brackets on the wall according to the installation distances and height of the wall brackets. The diameter and depth of hole must be the same as expansion bolts.

- The holes of each group must be on the same line in transversal direction and vertical direction.

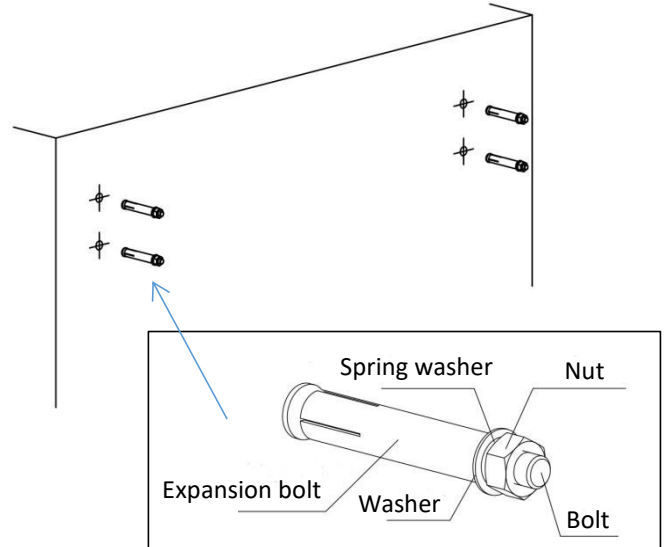
(Note: It is recommended to draw lines on the wall first to ensure precise position and size of the holes)



Step 3: Hammer all the expansion bolts into the holes. Then take down the nuts and washer.

(Note):

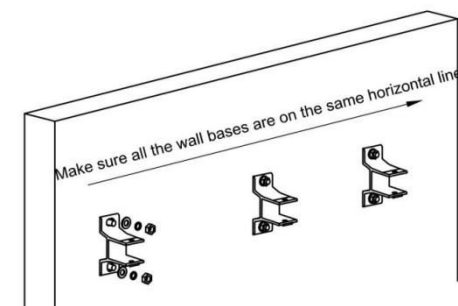
- ① The expansion bolts must be hammered into the wall completely.
- ② The bolts must stick out of the wall so that the wall brackets can be installed on it.
- ③ The nut and washer might be separated from the bolt during process of transportation, please put them back into their original positions before hammer them into the wall.)



Step 4: Attach the brackets

1. Take down the nuts and washers.
2. Fit the bracket into place over the washer and nut. Tighten with a socket spanner, the expansion bolt will expand.
3. Ensure the bracket is tight against wall before fitting the awning as the weight of the awning could pull the brackets out of the wall. If any movement is detected, further tighten the nuts.

Fixing must be directly into brick or concrete. Mortar joints between the bricks or blocks will NOT be secure enough to bolt into.



**** Make sure all the brackets are on the same horizontal.**

Step 5: Install the awning

Note:
The awnings are very heavy, more than 2 people will be required to lift the awning into place. Scaffold towers will be required when installing awnings. Do not attempt to lift this unit onto the wall brackets without assistance.

Lift both ends of the awning unit until the torsion bar(main back bar of awning) slides into the wall brackets.

Ensure the fabric is feeding from the top and not the bottom.

Fix the retain bolts through the wall brackets to secure the awning unit in place. Fit the nut onto the bolt and tighten.

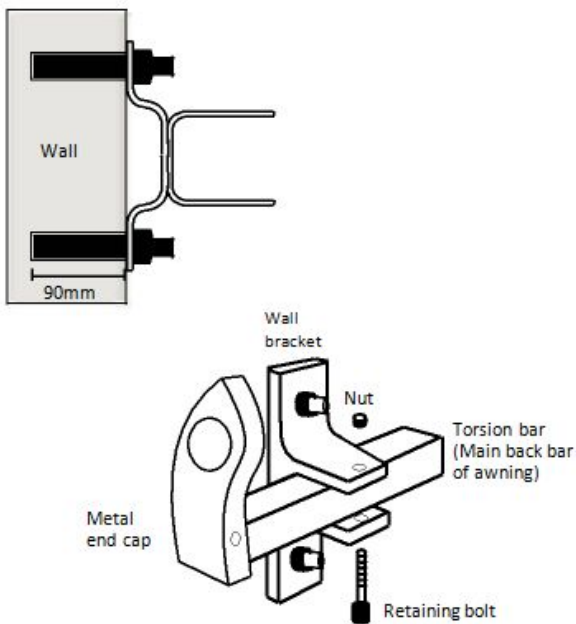
Check that both the wall bracket and the retaining bolts are tightened securely.

Install the awning on the wall brackets according to "Installation distances between wall brackets" below.

Installation distances between wall brackets

Awning < 10.8ft	Only 2 wall brackets for each end of torsion bars
Awning 10.8ft ~ 14ft	2 wall brackets at each end of torsion bar, a middle bracket in between distance of 2 arm shoulders (arm brackets refer to steps of assembly 6)
Awning 14.5ft ~ 20ft	2 wall brackets at each end of torsion bar, 2 middle brackets divide into equal length in between distance of 2 arm shoulders at each end of torsion bars. (steps of assembly 6)

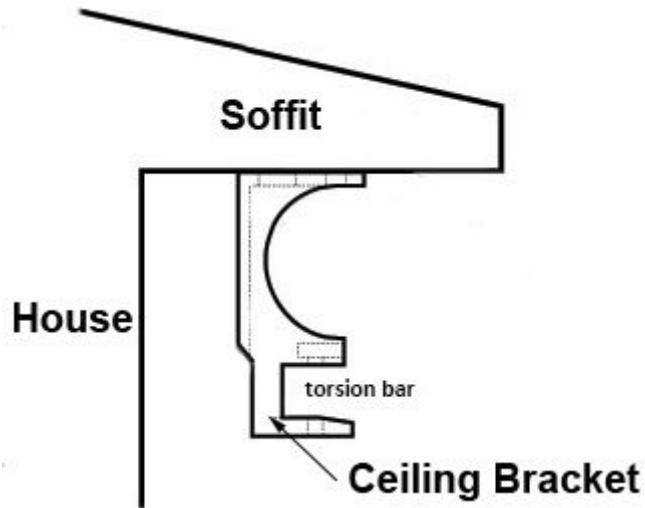
Wall bracket



Ceiling bracket

ALTERNATIVELY, CEILING BRACKETS are available and sold separately on www.AlekoProducts.com web site.

Measure distance and drill holes on the soffit. Hammer expansion bolts into holes (Refer to step 2-4). Lastly, Fit awning into square space as diagram shows below.



CAUTION: PROPER LOCATION OF THE BRACKETS IS THE MOST IMPORTANT ASPECT OF THE AWNING INSTALLATION. IT IS CRITICAL THAT YOU FASTEN ALL THE MOUNTING BRACKETS TO STUDS, JOISTS, HEADERS OR OTHER MAJOR STRUCTURAL COMPONENTS.

WARNING: FAILURE TO SECURELY FASTEN ALL THE BRACKETS TO THE WALL COULD RESULT IN THE COLLAPSE OF THE AWNING AND CAUSE PERSONAL INJURY OR DEATH.

Step 6. Leveling the front bar-Adjust the angle

The awning is usually supplied with the most ideal pre-set angle of tilt. When fully opened, the front bar should be level. The angle can however be adjusted (adjustment on the arms next to the awning body).

Although level when fully projected, the awning may not be perfectly level when fully retracted - this is normal.

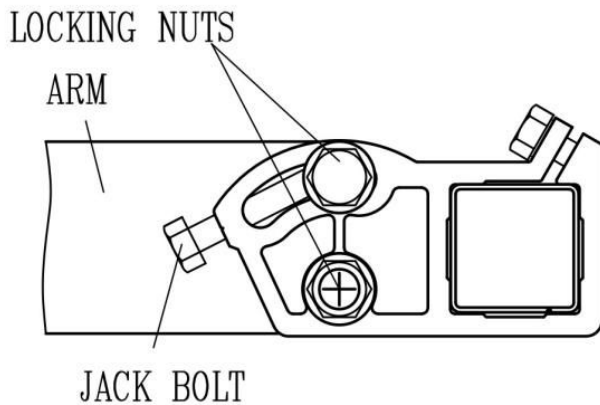
Adjustment:

- 1) Loosen the Locking nuts on both sides of the arms.
- 2) Turn the jack bolts to the desired angle.
- 3) Adjust the arm until the front side is level.
- 4) Securely tighten up the locking nuts.

Note:

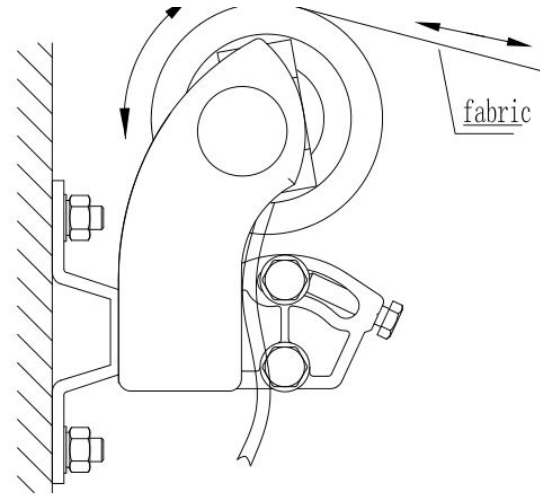
Make sure all the angle is adjusted at the same level, any slight misalignment will result in the awning not retracting properly or when the awning is fully projected, one side of the front bar will be higher than the other. Ideally, project the awning fully out and then adjust the level of the front bar by eye.

Side view of adjustment

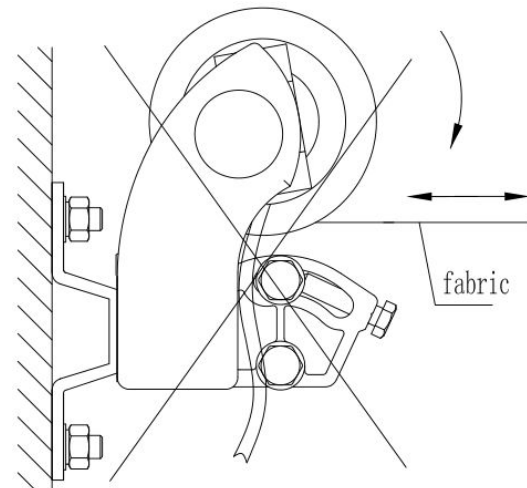


Common mistakes

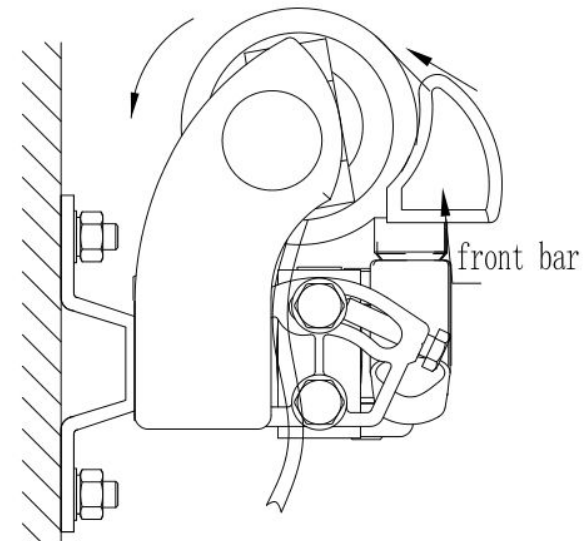
Correct operation:



Wrong operation:

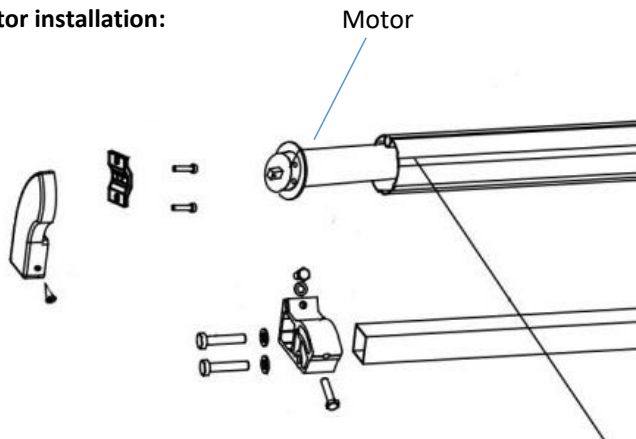


Warning: When the front bar touches the roller as shown in the figure, don't try to make them closer, otherwise the product might be damaged.



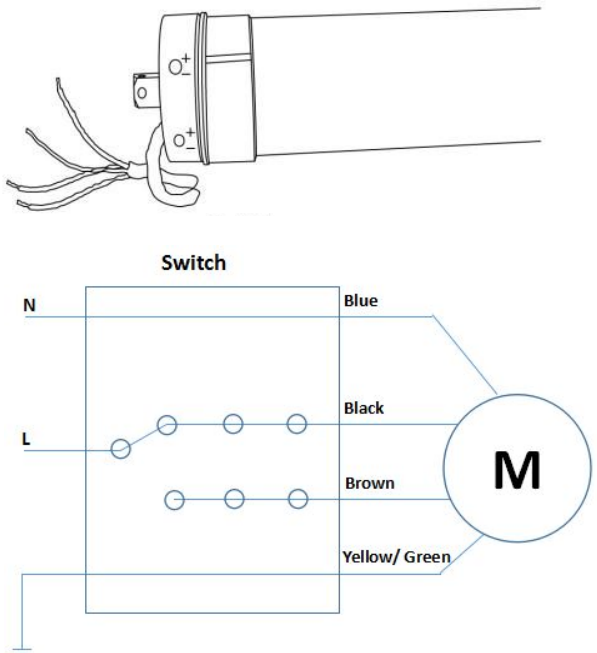
Motor installation

Motor installation:



Installation of motor bracket: Combine left roller support with motor bracket through bolt M6 x 50.

Motor wiring diagram:



Fixing guide:

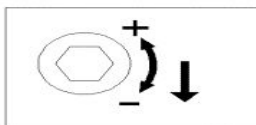
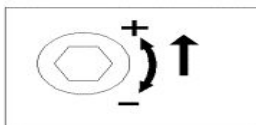
1. Please connect the down-lead of the motor and the wire of power supply to the switch according to the diagram. (Make sure to turn off the power supply first.)
2. The stroke of the motor was placed at the maximum after production.
3. You should turn off the power supply before using the hand crank.

Motor adjustment

The motor has two regulation holes, using the screw driver (Green Allen key provided) you can adjust the opening distance of the awning.

- 1) Indicating the increase or decrease of the opening of the awning: "+" stands for increase, "-" for decrease.
- 2) Opening direction may be different when the motor is installed, if it is attached inversely or on the other side. Please check the motor opening direction during adjustments.

Note: The awning operation is already set during production. If adjusting is needed, please contact a local dealer or a professional installer.



** Always make sure you count the amount of turns while adjusting, just in case you want to go back to the original setting.

White adjustment = Retraction point

Red adjustment = Extension point

Attention

1. The hand crank will not work when the power is turned on. **(Important)**
2. The awnings driven by the tubular motor have the built-in thermal protection device, which can keep working for 2 minutes and then stop. After 10 minutes, it will continue to operate.
3. The built-in tubular motor of awning is suitable for working from -15°C + 40°C.
4. Do not hang or place any items on any part of the awning.
5. If the motor doesn't work, or the remote control distance is getting short, you should check the built-in parts of the remote and the batteries.
6. Please check the fixed bracket regularly to make sure they have not come loose, especially in windy/rough weather areas.
7. The awning should be fully closed in windy conditions.

For more information, parts and accessories

Please visit our web site:

www.AlekoProducts.com

PLEASE DO NOT RETURN THIS PRODUCT TO THE STORE!

If you have questions about the assembly or operation of this product

Or have missing or defective parts, please e-mail us at Sales@AlekoProducts.com

Or call us (M-F 7:00 AM to 5:00 PM PST) at 253-872-3656

ALEKO[®]