



Majestic Mansion Dollhouse

Assembly Instructions

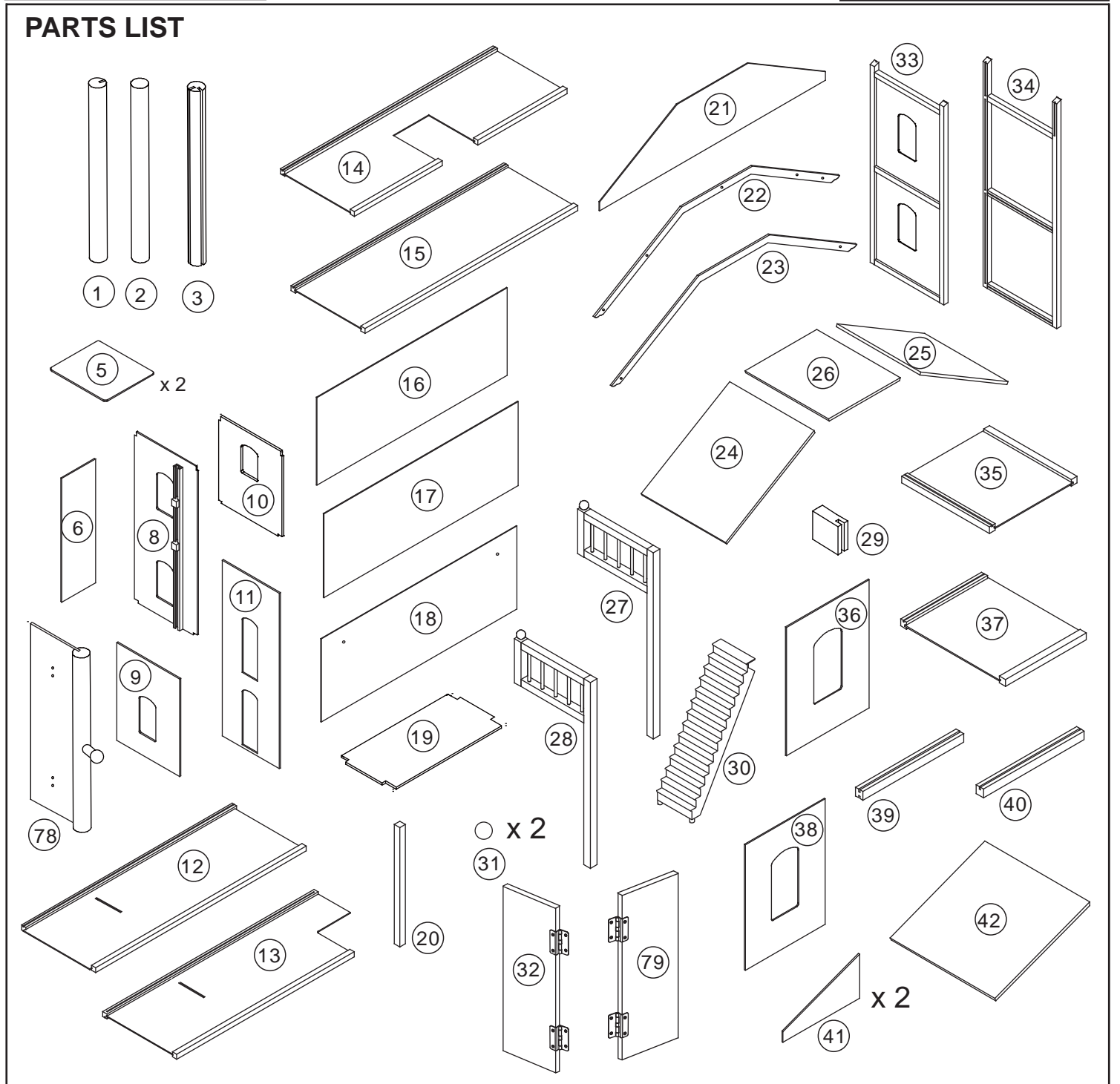
Item #65252

© 2009 KidKraft, LP

Please retain this information for future reference

To order replacement parts, please visit www.kidkraft.com

PARTS LIST



⚠ WARNING:

ADULT ASSEMBLY REQUIRED.

Product includes small parts with potentially hazardous sharp points and sharp edges in the unassembled state. Keep unassembled parts away from children.

⚠ WARNING:

CHOKING HAZARD. Small parts and sharp points, not suitable for children under 3 years.

⚠ WARNING:

If used improperly, your dollhouse may be pulled over or fall, creating risk of injury or damage. To minimize this risk, we recommend that you use the enclosed wall anchor kit, which gives you the option of attaching the dollhouse to a wall. In addition, children should not be permitted to climb or pull on the dollhouse.

USE AND MAINTENANCE:

- Use on level surfaces only
- Please check assembly at regular intervals, and frequently tighten hardware if necessary. If maintenance is not carried out, the product could cease to function properly.

Customer Service

1-800-933-0771

www.kidkraft.com


























Majestic Mansion Dollhouse

Assembly Instructions

Item # 65252

© 2009 KidKraft, LP

| HARDWARE | | FURNITURE |
|---|---|-----------|
| <p>A. Yellow Cross Dowel Bolt x 3 pcs  (2 5/8 in, 42 mm)</p> | <p>M. Blue Screw x 16 pcs  (11/16 in, 18 mm)</p> | |
| <p>B. Gold Cross Dowel Bolt x 24 pcs  (2 5/8 in, 42 mm)</p> | <p>N. Grey Screw x 2 pcs  (11/16 in, 18 mm)</p> | |
| <p>C. Grey Cross Dowel Bolt x 6 pcs  (2 5/8 in, 42 mm)</p> | <p>O. Yellow Screw x 3 pcs  (3/8 in, 10 mm)</p> | |
| <p>D. Yellow Cross Dowel Bolt x 4 pcs  (3/8 in, 10 mm)</p> | <p>P. Light Green Insert Bolt x 2 pcs  (1/2 in, 13 mm)</p> | |
| <p>E. Yellow Cross Dowel Bolt x 1 pcs  (3/4 in, 19 mm)</p> | <p>Q. Brown Insert Bolt x 2 pcs  (1/2 in, 13 mm)</p> | |
| <p>F. White Cross Dowel Bolt x 2 pcs  (3/4 in, 19 mm)</p> | <p>R. Insert Bolt x 4 pcs  (1/2 in, 13 mm)</p> | |
| <p>G. Green Cross Dowel Bolt x 1 pcs  (3/4 in, 19 mm)</p> | <p>S. Brown Screw x 1 pcs  (1/2 in, 12 mm)</p> | |
| <p>H. Cross Dowel Nut x 33 pcs </p> | <p>T. Grey Screw x 2 pcs  (1/2 in, 12 mm)</p> | |
| <p>I. Screw x 10 pcs  (11/16 in, 18 mm)</p> | <p>U. Pink Screw x 4 pcs  (1 3/16 in, 30 mm)</p> | |
| <p>J. Light Green Screw x 2 pcs  (1/2 in, 12 mm)</p> | <p>Allen Wrench x 2 pcs </p> | |
| <p>K. Brown Screw x 8 pcs  (11/16 in, 18 mm)</p> | <p>The following tool is required for assembly: (not included)</p> | |
| <p>L. White Screw x 4 pcs  (11/16 in, 18 mm)</p> | <p>Phillips® screwdriver </p> | |

Before calling customer service, please locate the batch code number (example: 105906/65006/04) found on the bottom or back of your product.

Customer Service
 1-800-933-0771
www.kidkraft.com



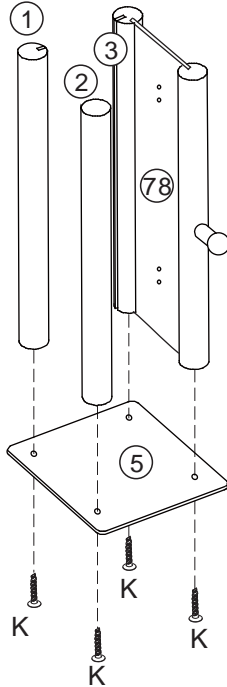
Majestic Mansion Dollhouse

Assembly Instructions

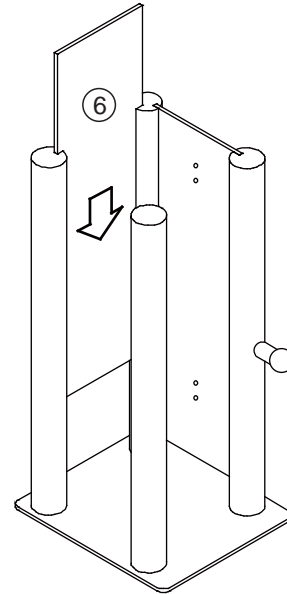
© 2009 KidKraft, LP

Item # 65252

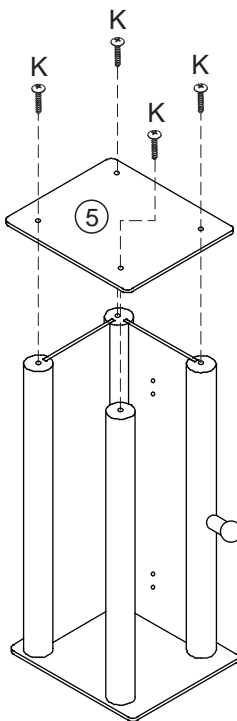
STEP 1



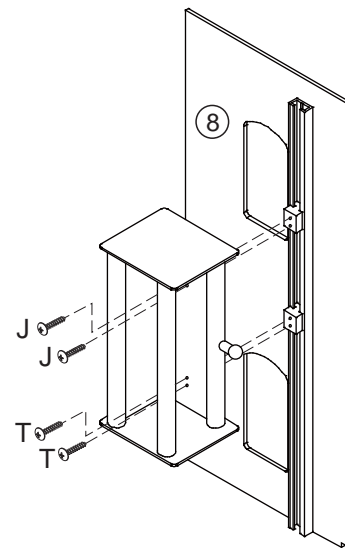
STEP 2



STEP 3



STEP 4



Customer Service
1-800-933-0771
www.kidkraft.com



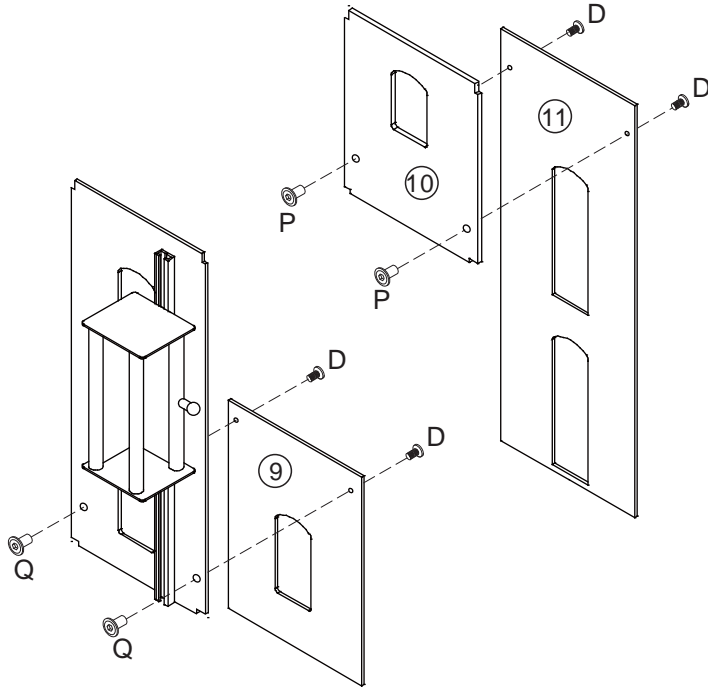
Majestic Mansion Dollhouse

Assembly Instructions

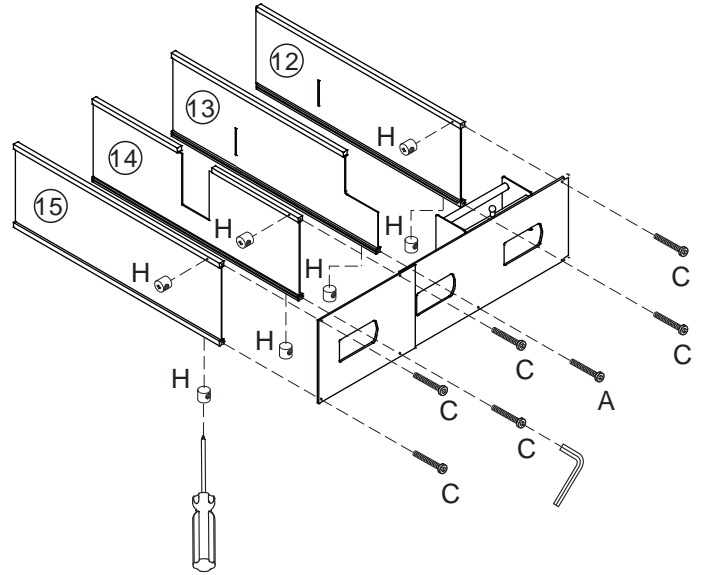
Item # 65252

© 2009 KidKraft, LP

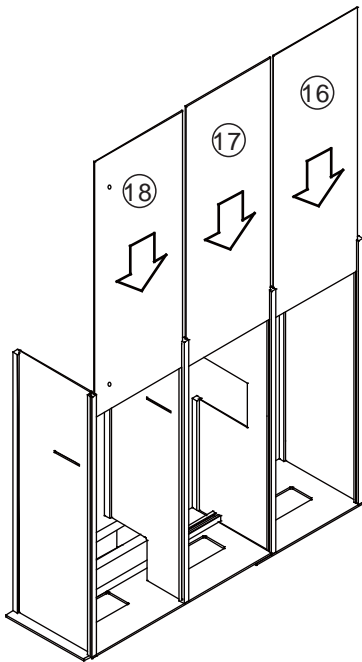
STEP 5



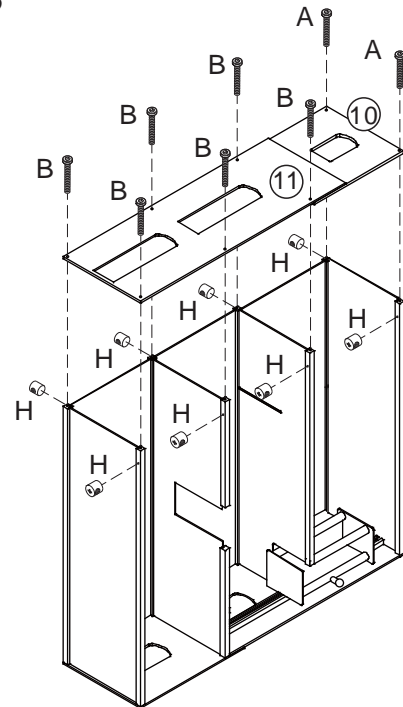
STEP 6



STEP 7



STEP 8



Customer Service
1-800-933-0771
www.kidkraft.com



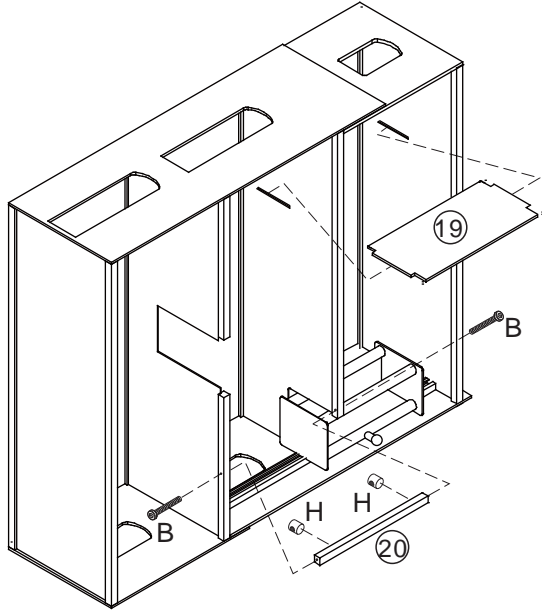
Majestic Mansion Dollhouse

Assembly Instructions

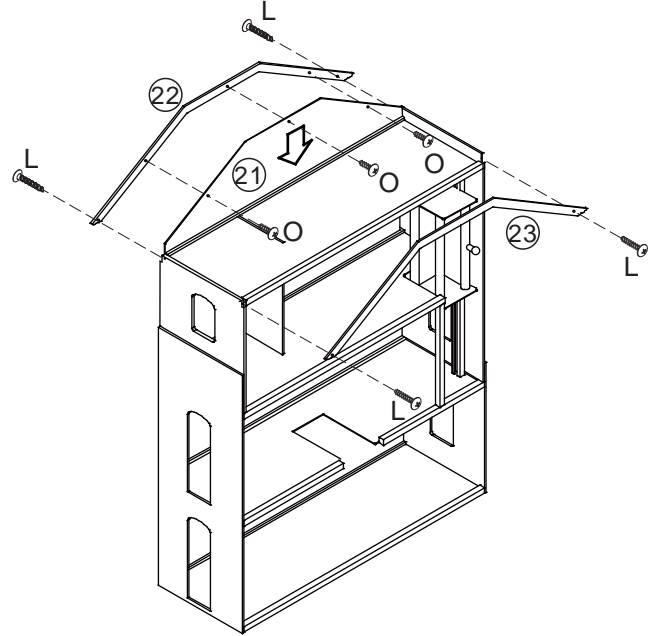
Item # 65252

© 2009 KidKraft, LP

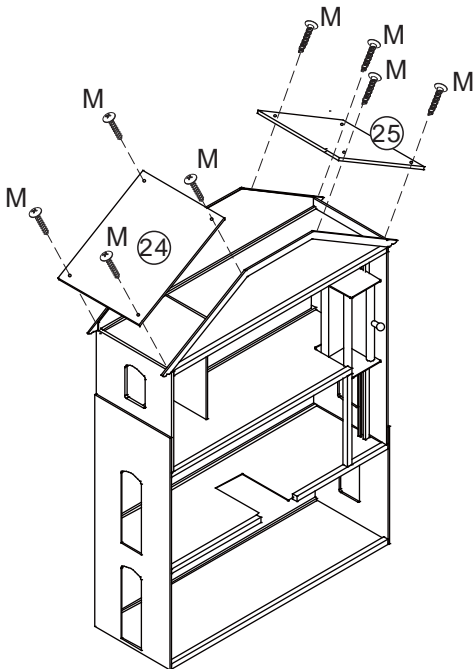
STEP 9



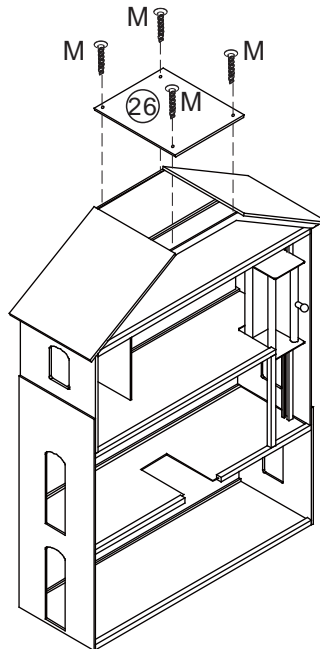
STEP 10



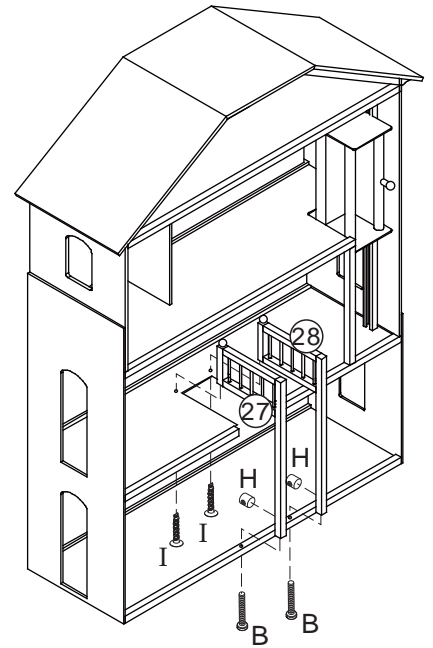
STEP 11



STEP 12



STEP 13



Customer Service
1-800-933-0771
www.kidkraft.com



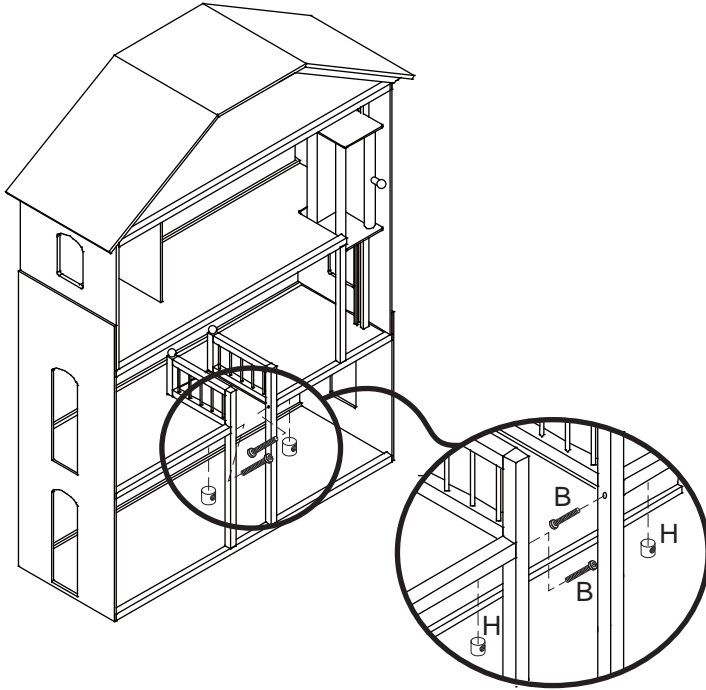
Majestic Mansion Dollhouse

Assembly Instructions

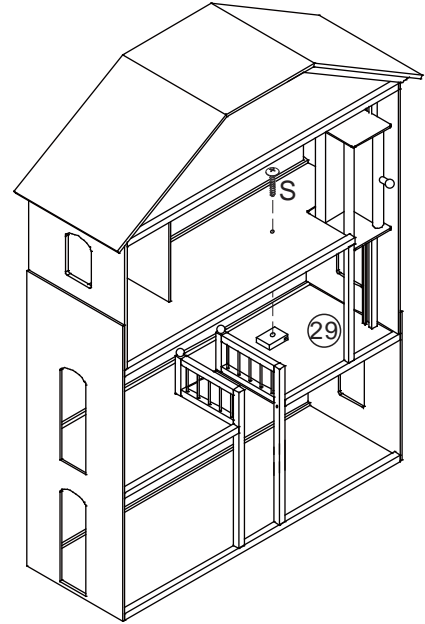
© 2009 KidKraft, LP

Item # 65252

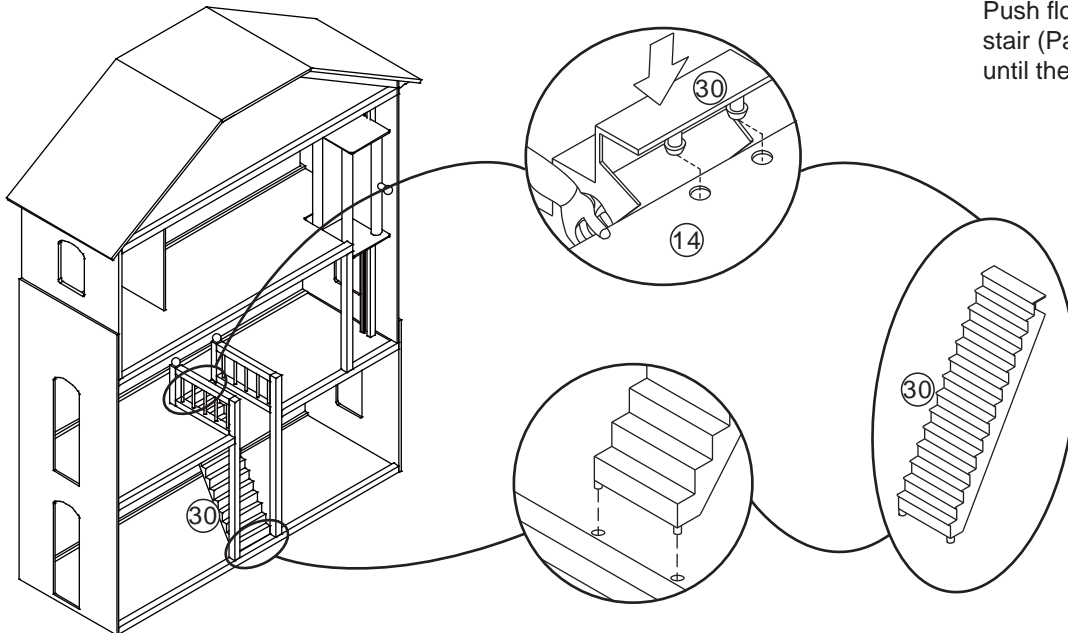
STEP 14



STEP 15



STEP 16



Push floor (Part 14) and stair (Part 30) together until they snap into place.

Customer Service
1-800-933-0771
www.kidkraft.com



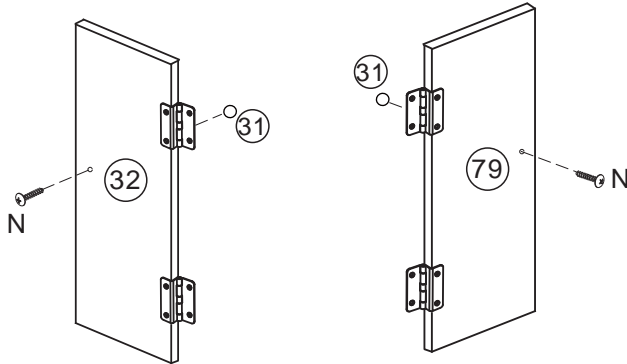
Majestic Mansion Dollhouse

Assembly Instructions

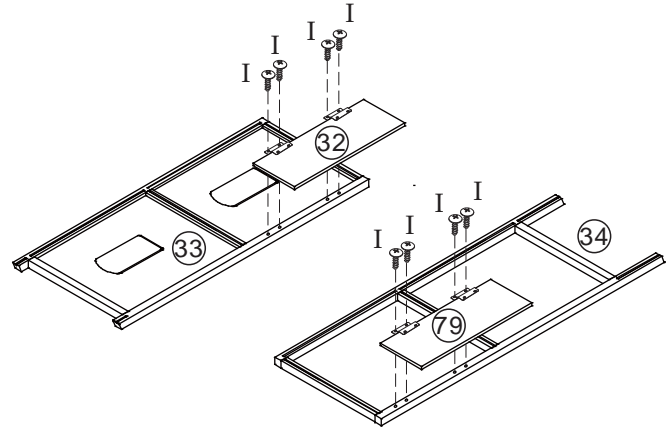
© 2009 KidKraft, LP

Item # 65252

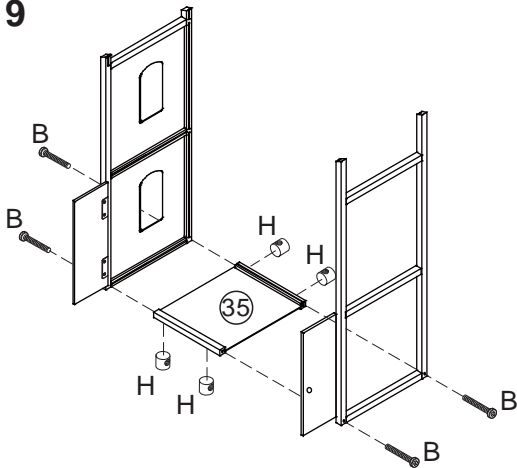
STEP 17



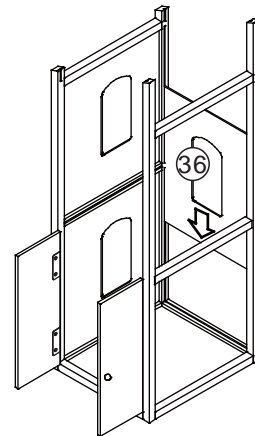
STEP 18



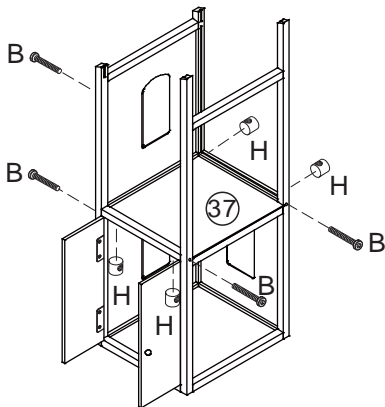
STEP 19



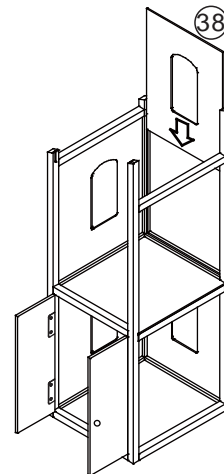
STEP 20



STEP 21



STEP 22



Customer Service
1-800-933-0771
www.kidkraft.com



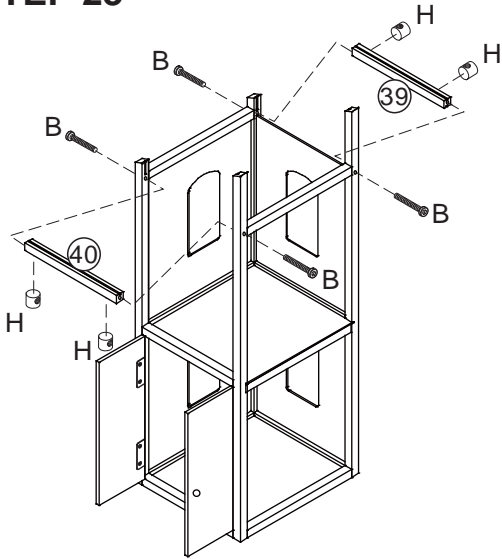
Majestic Mansion Dollhouse

Assembly Instructions

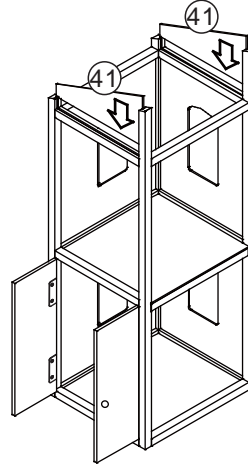
© 2009 KidKraft, LP

Item # 65252

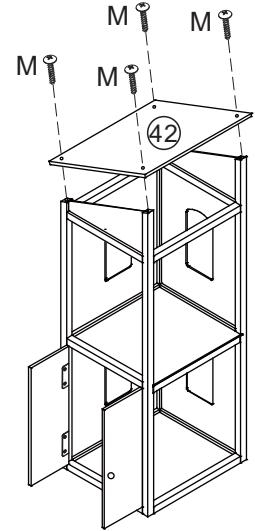
STEP 23



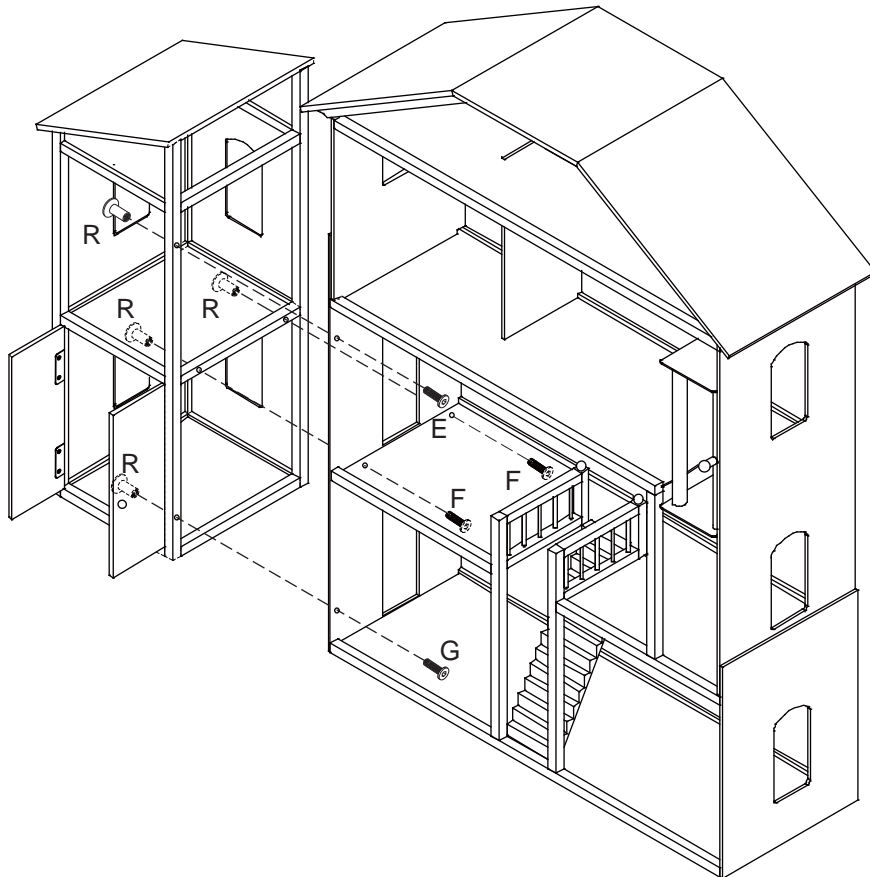
STEP 24



STEP 25



STEP 26



Customer Service
1-800-933-0771
www.kidkraft.com



Majestic Mansion Dollhouse

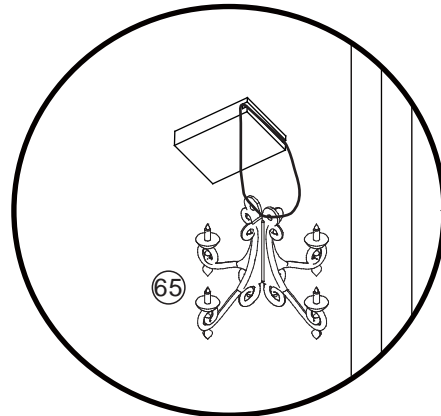
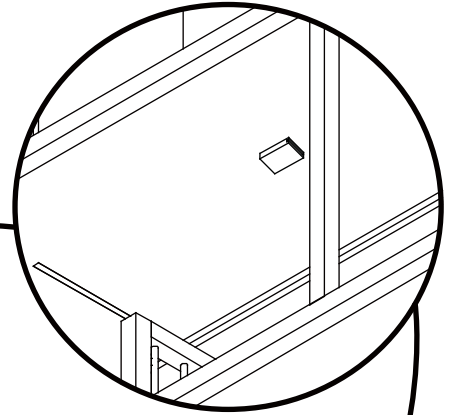
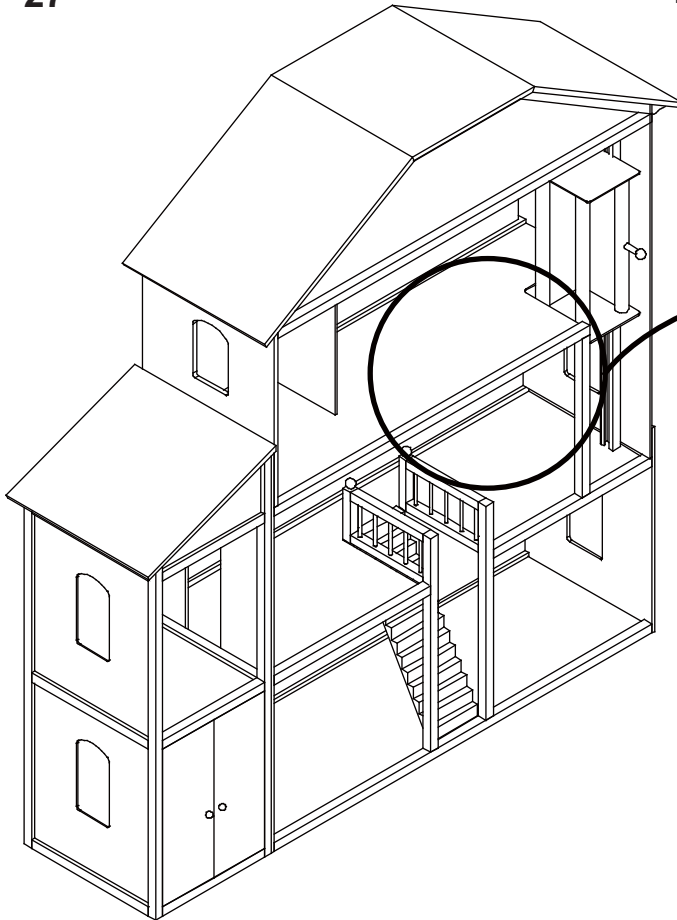
Assembly Instructions

© 2009 KidKraft, LP

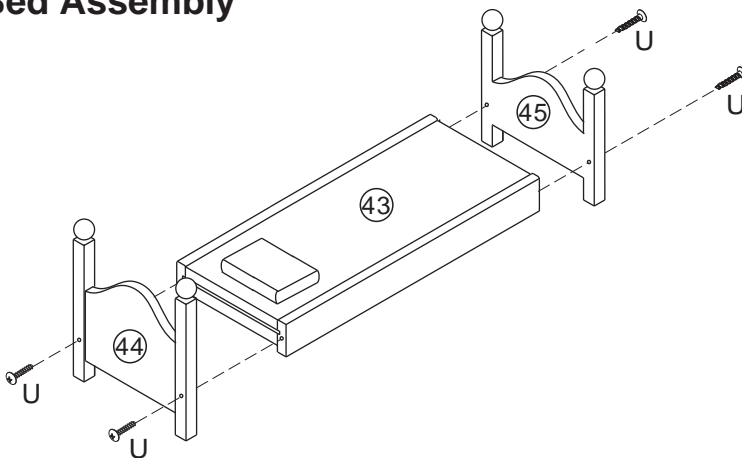
Item # 65252

STEP 27

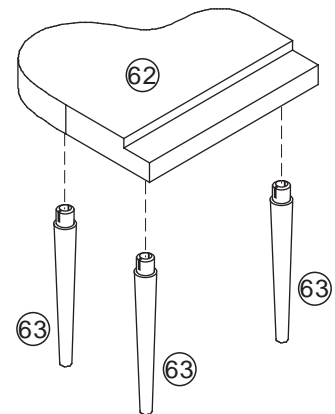
*Hang chandelier from notch on third floor panel.



Bed Assembly



Piano Assembly



Customer Service
1-800-933-0771
www.kidkraft.com



Parental supervision required.

This toy is intended for children of a specific age or above. Parents should supervise the play area so that children younger than the intended age range do not interact with this toy. Use this toy on the floor. Do not allow children to climb on or around or in the toy.

IMPORTANT INFORMATION - PLEASE READ FIRST

ALL OF OUR WOODEN ITEMS ARE HANDCRAFTED, HAND ASSEMBLED, AND HAND PAINTED. EACH ONE IS UNIQUE. SLIGHT IMPERFECTIONS MAY OCCUR AND ARE NOT MANUFACTURING DEFECTS.

PLEASE NOTE THAT WE DO NOT WARRANTY AGAINST THE USE OF PERMANENT MARKERS, NON-WATER-BASED PAINTS, CRAYONS, OR WASHABLE MARKERS. SOME OF THESE ITEMS CONTAIN PERMANENT COLOR DYES THAT COULD DAMAGE THE SURFACE.

CLEANING INSTRUCTIONS

CLEAN THE SURFACE USING A SLIGHTLY DAMP CLOTH AND MILD DISH WASHING LIQUID IF NECESSARY. DO NOT USE ANY CLEANING PRODUCT CONTAINING ALCOHOL OR AMMONIA. THESE WILL DULL THE SHINY SURFACE OF THE PRODUCT. FURNITURE POLISH WILL ALSO WORK TO CLEAN AND DUST OFF THE SURFACE.

WE RECOMMEND THAT YOU TEST ALL CLEANING MATERIALS ON THE UNDERSIDE OF ANY SURFACE THAT WOULD NOT BE SEEN DURING NORMAL USE OF THE PRODUCT. IF YOU HAVE QUESTIONS REGARDING THE MAINTENANCE OF THIS PRODUCT PLEASE FEEL FREE TO CALL US.

SOLE AND LIMITED WARRANTY

THIS TOY IS WARRANTED SOLELY AGAINST MANUFACTURING DEFECTS FOR A PERIOD OF 90 DAYS FROM THE DATE OF PURCHASE, WHICH RUNS ONLY TO THE ORIGINAL USER OF THE TOY. IN THE EVENT OF A MANUFACTURING DEFECT, PARTS WILL BE REPLACED OR THE ENTIRE PRODUCT WILL BE REPLACED OR THE PURCHASE PRICE WILL BE REFUNDED, AT THE ELECTION OF THE MANUFACTURER. TO ACTIVATE AND PROTECT THIS WARRANTY, PRESERVE EVIDENCE OF ORIGINAL PURCHASE AND CAREFULLY INSPECT THE CONDITION OF THE TOY PRIOR TO AND AFTER ASSEMBLY, LOOKING FOR MISSING, DEGRADED, BROKEN OR HAZARDOUS PARTS, INCLUDING PARTS WHICH CAN BE SWALLOWED BY A CHILD, CAUSE A CHILD TO CHOKe, OR OTHERWISE CAUSE INJURY. SUCH PARTS MAY INCLUDE MAGNETS, WHEELS, HUBS, FASTENERS, AND CONNECTORS. SHOULD YOU OBSERVE ANY DEFECTS, DO NOT USE THE TOY AND IMMEDIATELY NOTIFY THE MANUFACTURER. FAILURE TO DO SO SHALL CONSTITUTE MISUSE. MISUSE, IMPROPER ASSEMBLY, FAILURE TO HONOR A WARNING, FAILURE TO SUPERVISE, INSPECT OR MAINTAIN THE TOY, OR DAMAGE TO THE TOY, WHETHER INTENTIONAL OR INADVERTENT, SHALL INVALIDATE THIS WARRANTY. THIS WARRANTY GIVES YOU SPECIFIC LEGAL RIGHTS, AND YOU MAY ALSO HAVE OTHER RIGHTS WHICH VARY FROM STATE TO STATE.

TO SUBMIT A WARRANTY CLAIM PLEASE CONTACT KIDKRAFT CUSTOMER SERVICE AT 1-800-933-0771 FOR INSTRUCTIONS ON HOW TO PROVIDE PROOF OF PURCHASE AND HOW TO RETURN THE ITEM FREIGHT PRE-PAID.

CUSTOMER SERVICE 1-800-933-0771

www.kidkraft.com