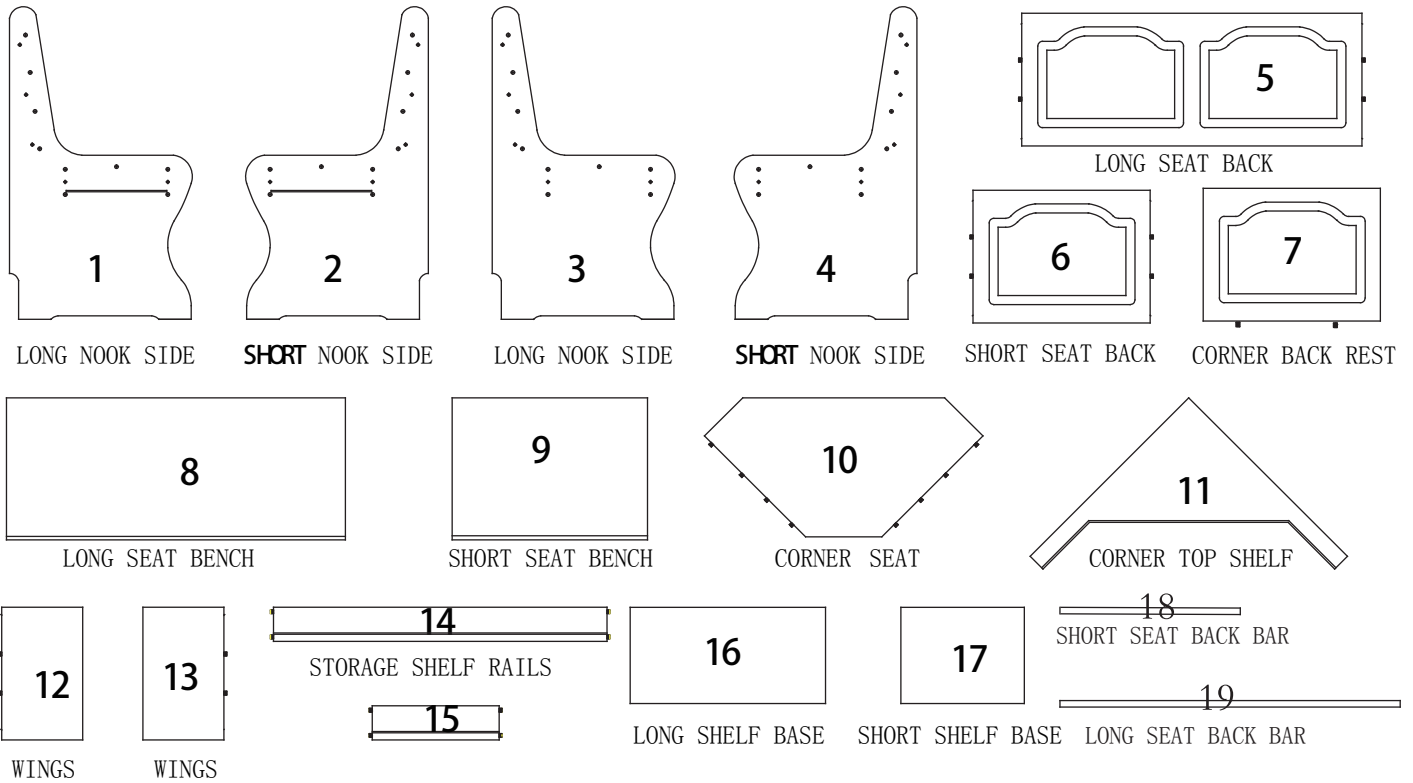
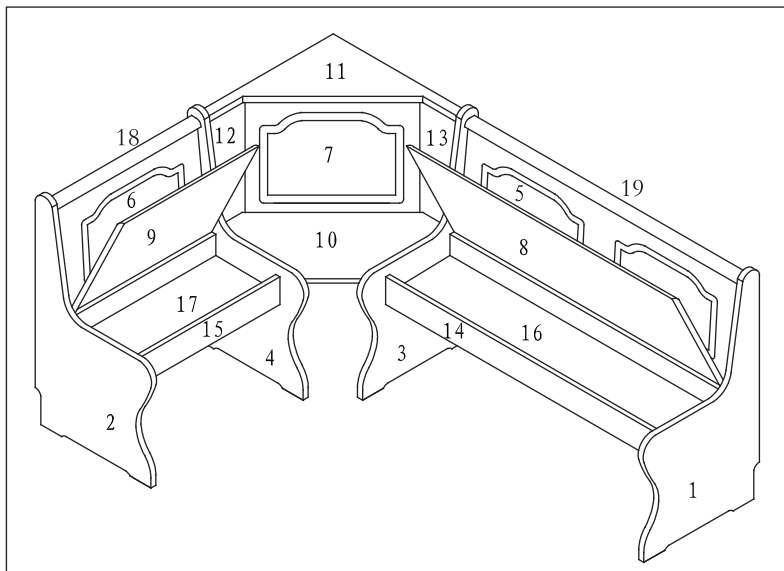
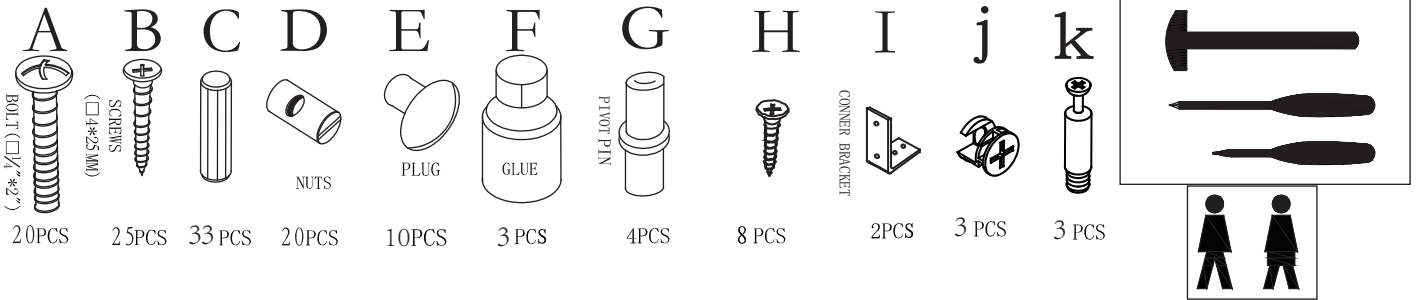


NOOK CORNER ASSEMBLY INSTRUCTION

This item consists of two cartons 1 and 2, and customer needs to open up both cartons to assemble the furniture



HARDWARE LIST



Assembly Instructions

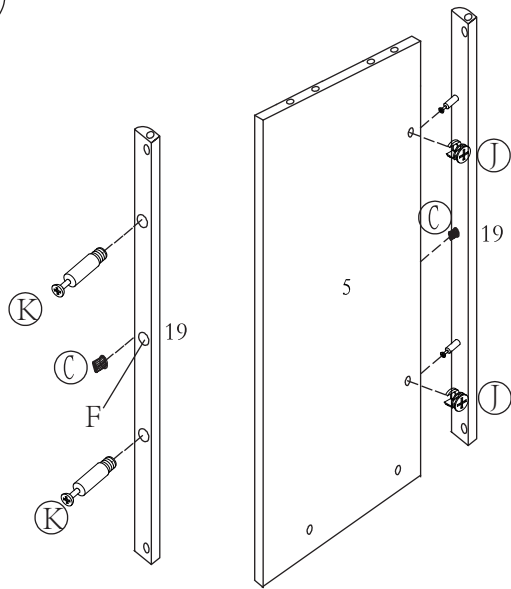
Begin by separating the parts as per drawing above in Box 1 and 2, The parts are numbered for easy identification To prevent damage to the Product, be sure to assemble on a soft surface such as carpet, or place towels under the product during assembly Please follow the assembly instructions step by step to avoid problems

IMPORTANT NOTE.

IT IS RECOMMENDED THAT ALL PLECES BE ASSEMBLED WITH A MANUAL SCREW DRIVER. IF A DRILL IS USED IT IS RECOMMENDED NOT TO APPLY-STRENGTH. IN ORDER TO AVOID SCRATCHES AND CRACKS.

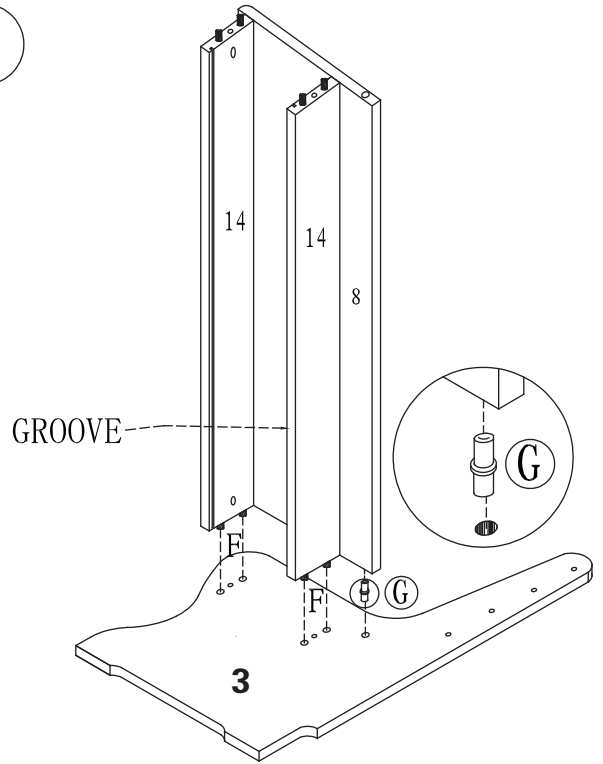
98.6340
98.6361

1



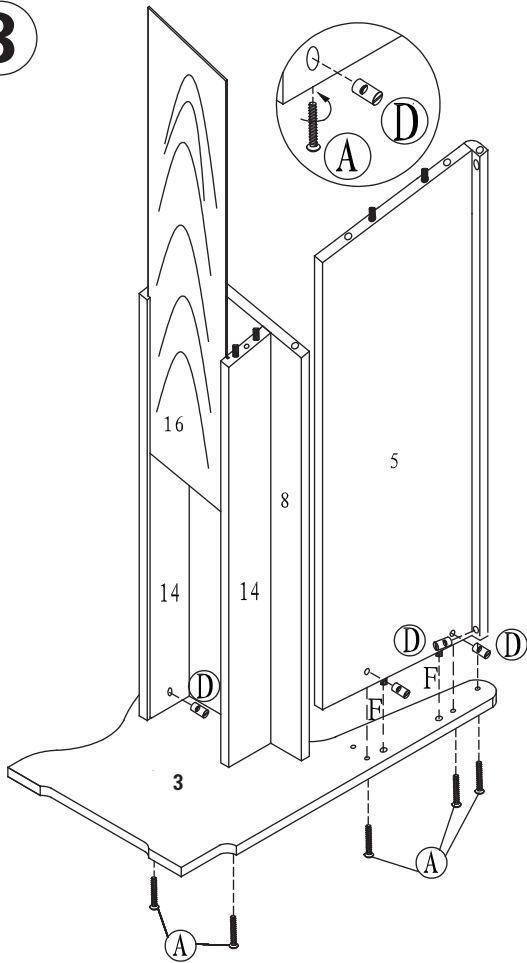
Attach Wooden Dowel(C) and Assemble Camlock Bolt(K) to Long Seat Back Bar(19)With Glue(F), Then Assemble to Long Seat Back(5) with Glue(F)and Camlock(J) As Shown.

2



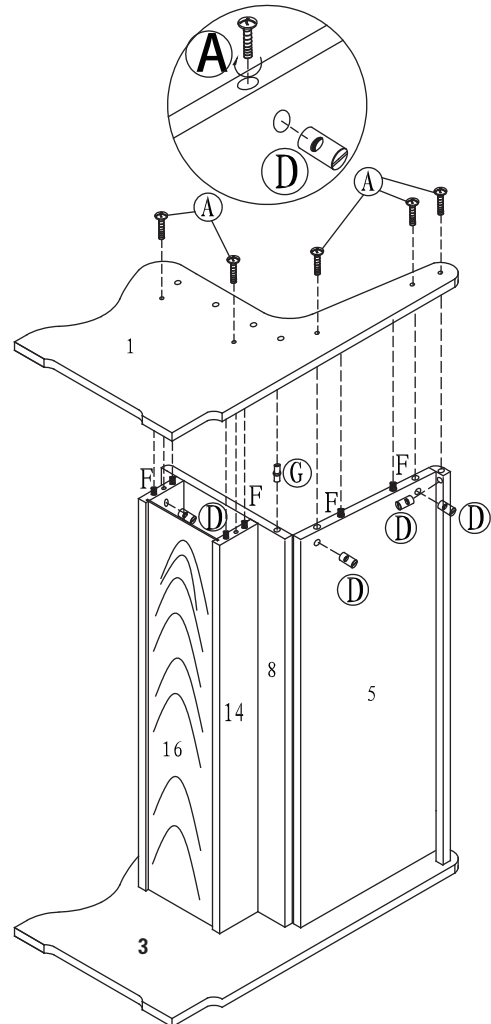
Attach Long Storage Shelf Rails(14) to Long Nook Side(3) with Glue(F),and attach Long Seat Bench(8) to Long Nook Side(3) with Pivot Pin(G).

3

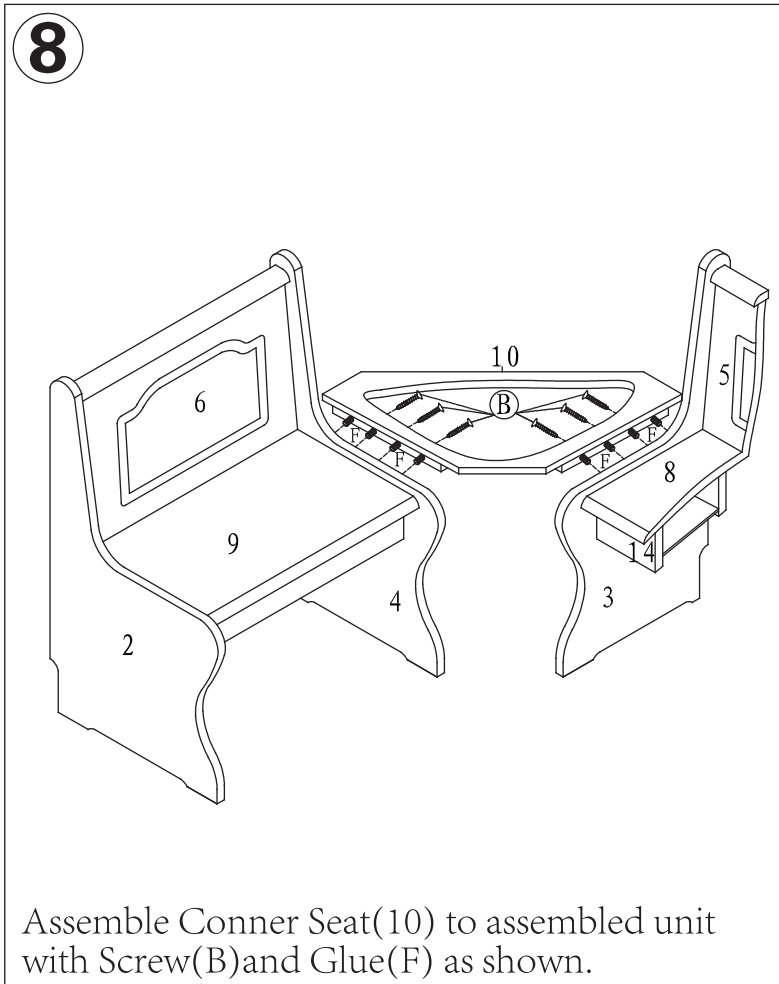
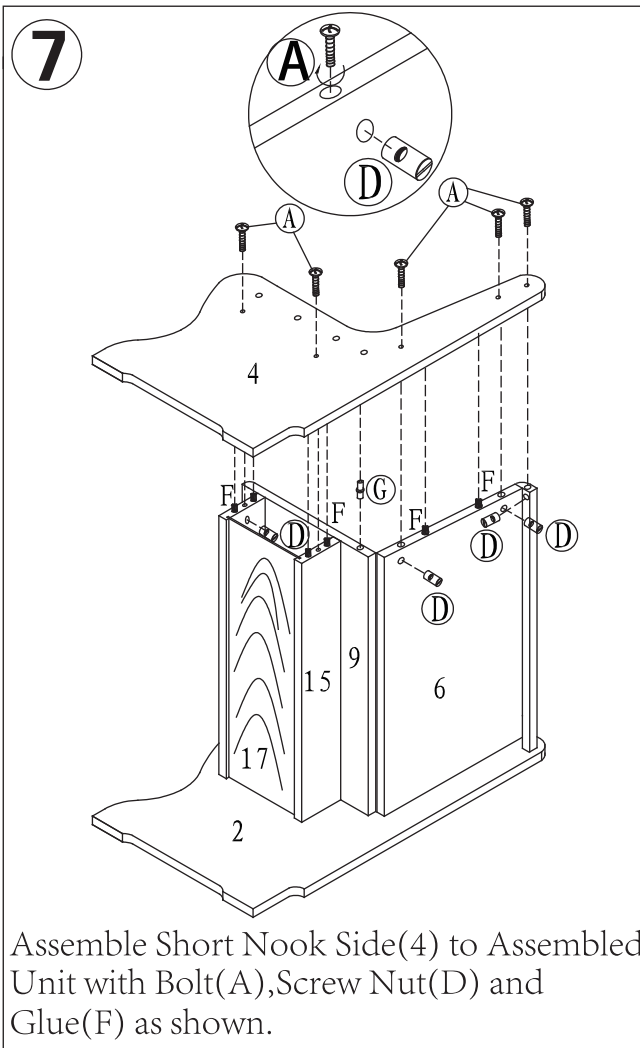
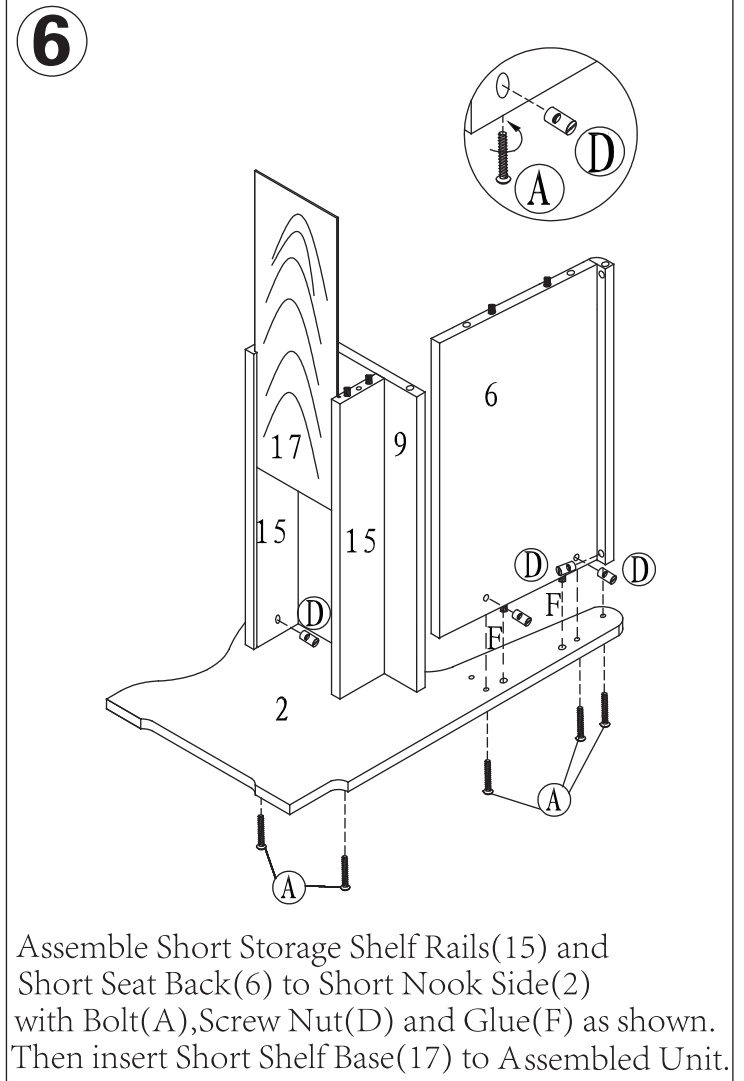
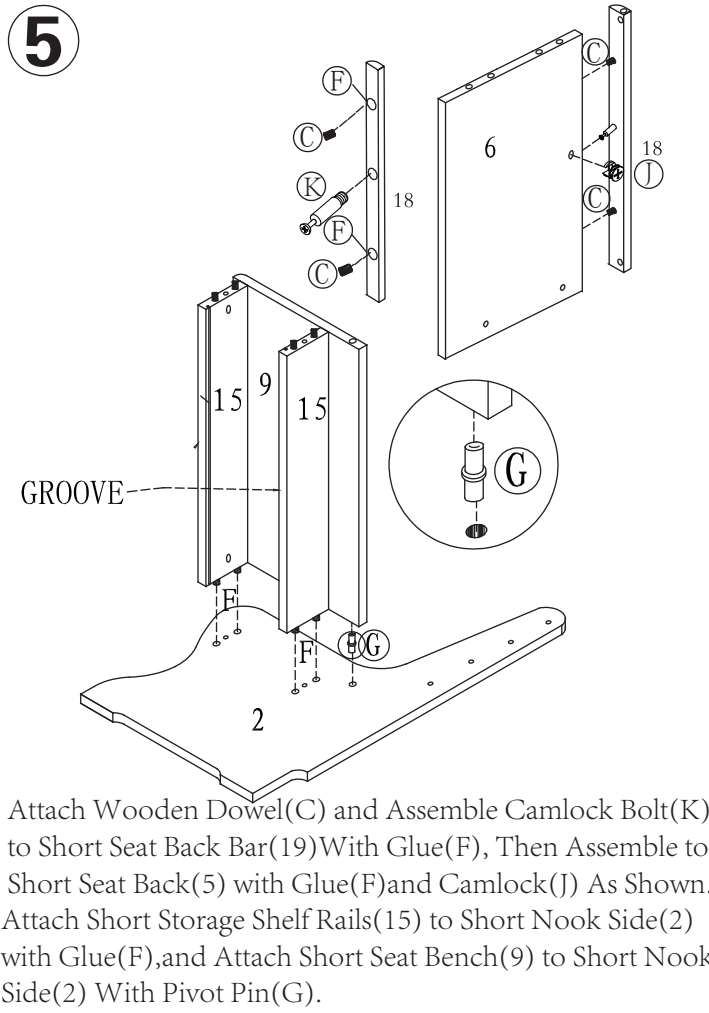


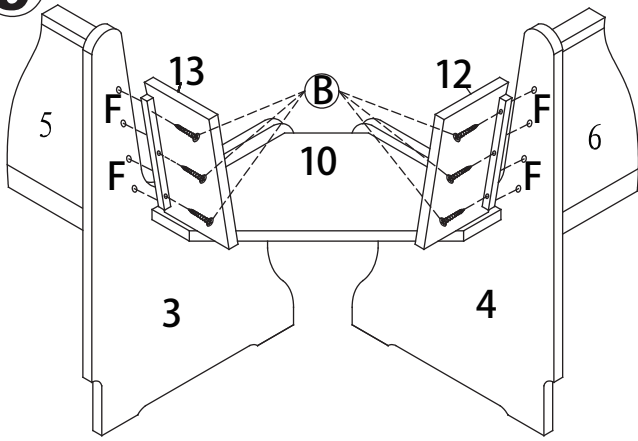
Assemble Long Storage Shelf Rails(14) and Long Seat Back(5) to Long Nook Side(3) with Bolt(A) ,Screw Nut(D) and Glue(F) as shown. Insert Long Shelf Base (16) to Assembled Unit as shown.

4

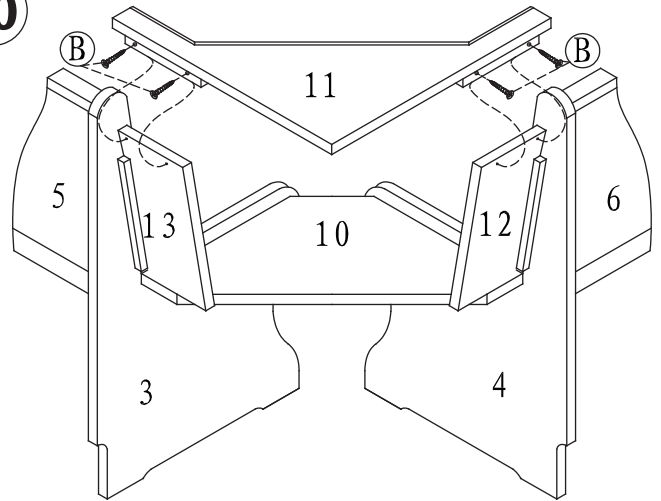


Attach Wooden Dowel (C) to Short Seat Back Bar (18), then assembled to Short Seat Back (6)with Glue(F) as shown.

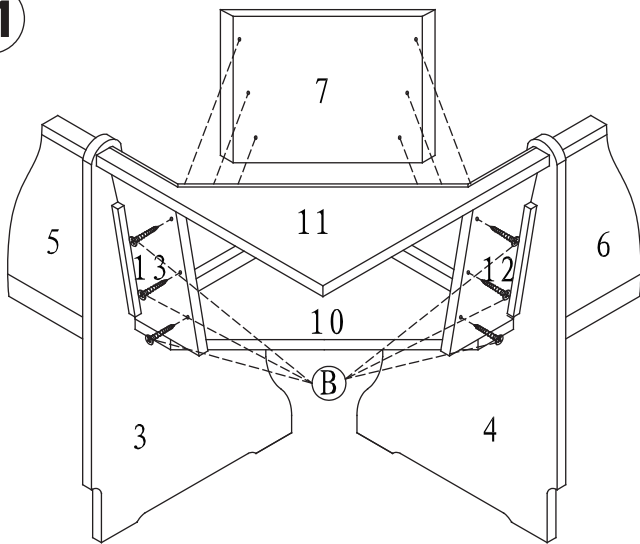


9

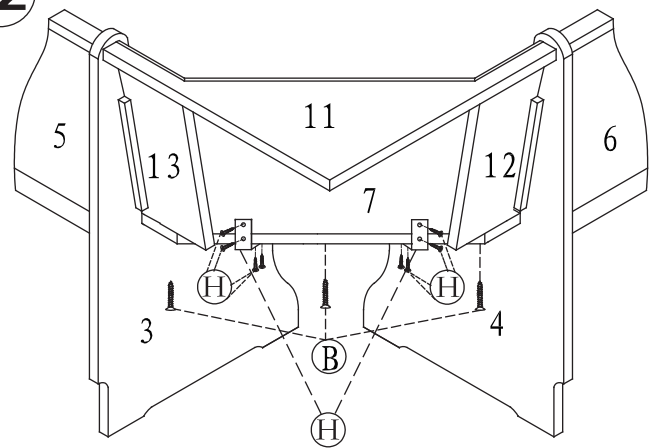
Assemble the two Wings(12&13) to Assembled Unit with Screw(B) and Glue(F) as shown.

10

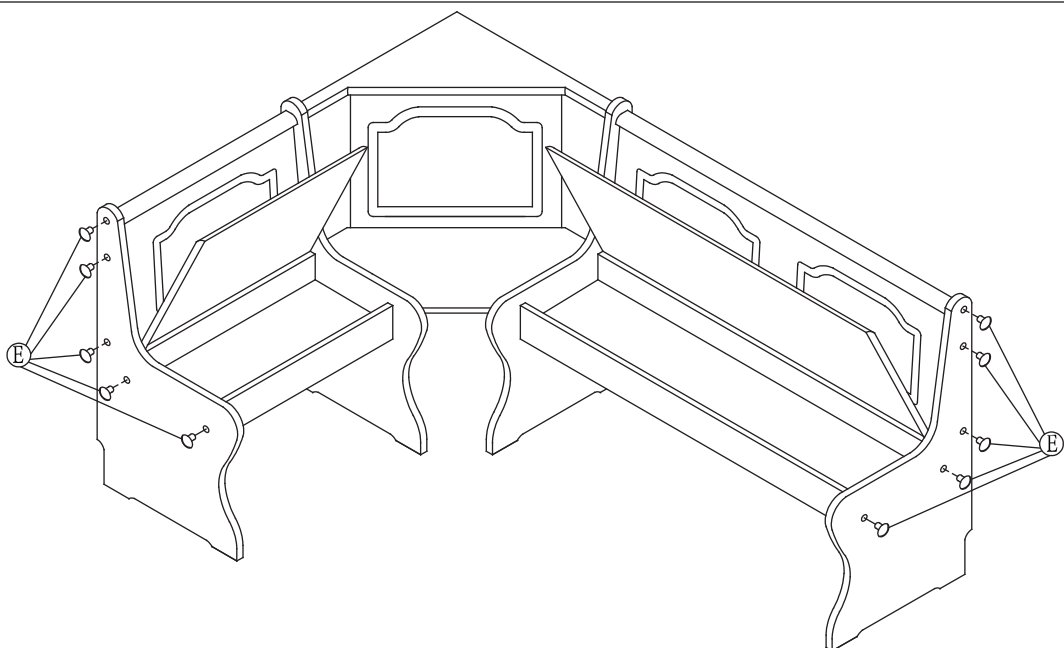
Assemble Conner Top Shelf(11)to Wings(12&13) with Screw(B) As shown.

11

Assemble Conner Back Rest(7) to Wings(12&13) with Screw(B) as shown

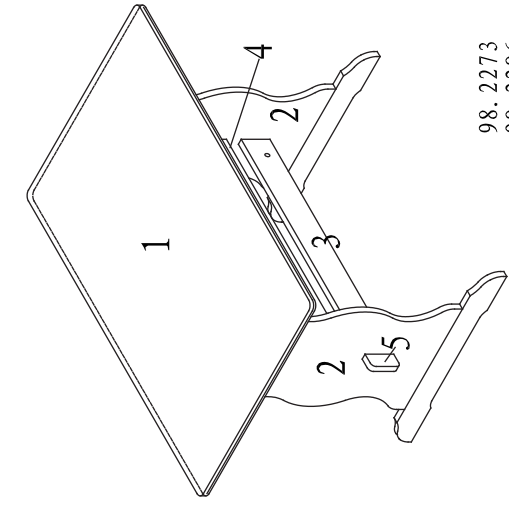
12

Assemble Conner Seat(10) to Conner Back Rest(7) with two Conner Brackets (I) by using Screw(H) and screw(B) as shown.

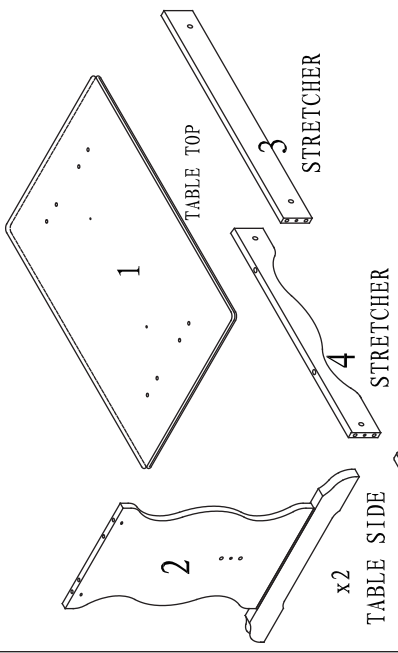
13

Attach Plastic Plug(E) to Assembled Unit as shown.

ASSEMBLY INSTRUCTIONS


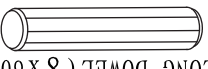
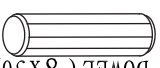


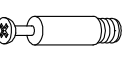


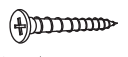


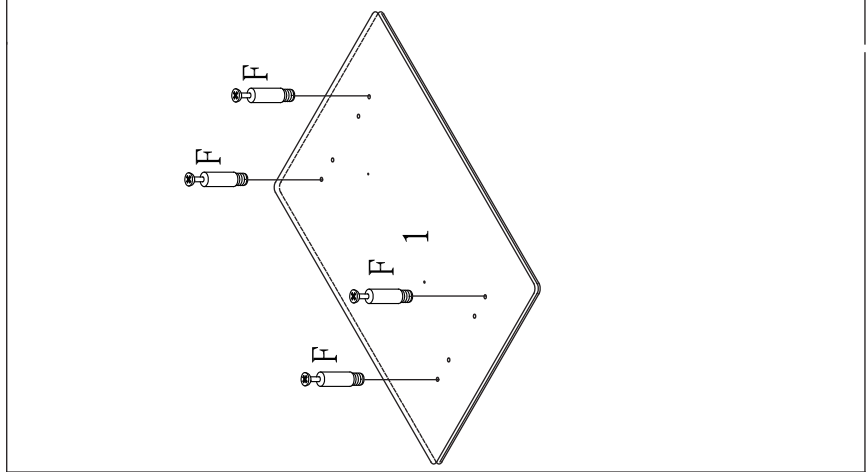
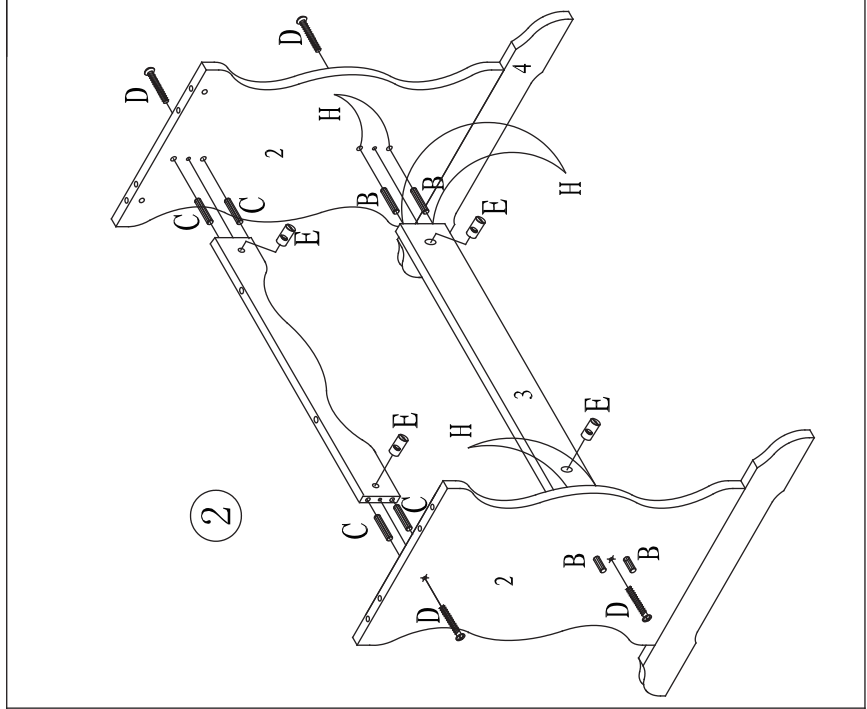
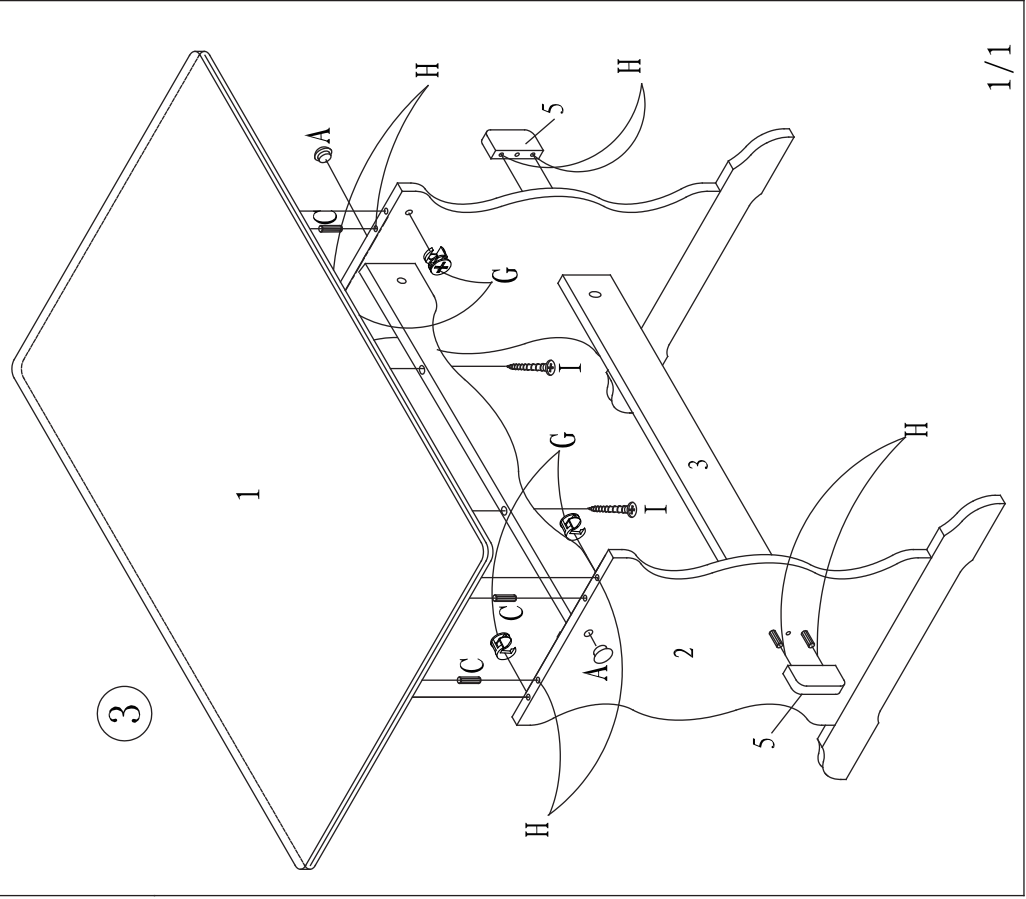
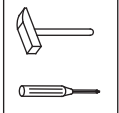
98.2273
98.2286



DECORATIVE CAPS
x2

HARDWARE LIST

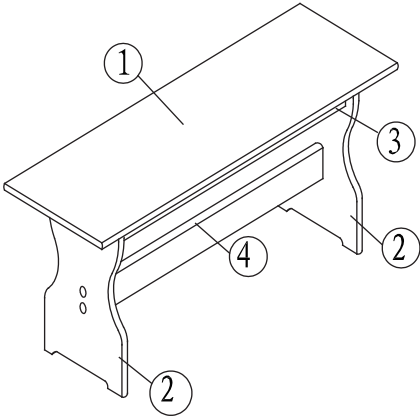
- A  x2
- B  LONG DOWEL (8 x 60) x4
- C  SHORT DOWEL (8 x 30) x8
- D  MACHINE SCREWS (6 x 50) x4
- E  x4
- F  x4
- G  x4
- H  GLUE x1
- I  WOOD SCREWS (4 x 40) x2



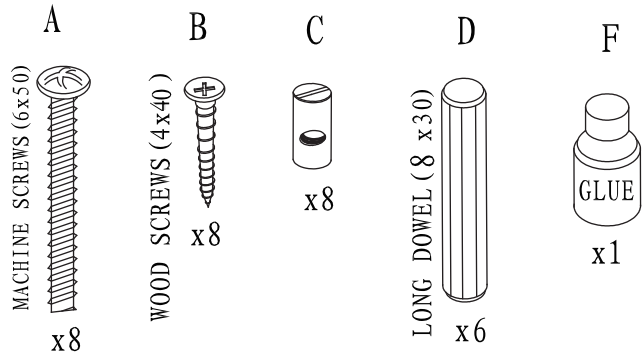
ASSEMBLING INSTRUCTIONS

Position your bench on it's side. It is recommended to place a cloth or towel underneath the product to protect the finish during assembly .

98.6205
98.6215



HARDWARE LIST



IMPORTANT NOTE

DO NOT USE POWER TOOLS WHEN ASSEMBLING
IT IS RECOMMENDED THAT ALL PIECES BE
ASSEMBLED WITH A MANUAL SCREW DRIVER.

